

YAMAHA

KX1

REMOTE KEYBOARD

Owner's Manual

INTRODUCTION

Thank you for choosing the Yamaha KX1 Remote Keyboard. The KX1 has been developed using the most sophisticated Yamaha digital keyboard technology. It connects to electronic keyboard instruments which have the MIDI connectors such as the Yamaha DX series Synthesizers, permitting remote stand-up performance of the keyboard instruments. The KX1 offers full initial and after touch sensitivity permitting subtle control of timbre or dynamics via key touch. The KX1 also offers 2-octave transpose control, direct access to up to 32 voices residing in the keyboard's internal voice memory, and easy-to-use modulation, portamento and volume thumbwheels.

The KX1 vastly enhances the live-performance capabilities of keyboard instruments.

In order to obtain maximum performance from your KX1 Remote Keyboard, we urge you to read this owner's manual thoroughly.

CONTENTS	
CAUTION	2
PANEL OPERATION	3
BATTERY REPLACEMENT & STRAP CONNECTION .	5
SPECIFICATIONS	6

CAUTION

Turn power to the receiving keyboard ON first, then turn ON the KX1!

The KX1 outputs initial data describing the state of its controls as soon as its power is switched ON. The receiving keyboard must therefore be turned ON before the KX1 in order to receive and process this initial data. If the receiving keyboard is turned ON after the KX1, it may not respond properly to control signals received from the KX1. For example, it may not be possible to use the portamento effect even though portamento is turned ON at the KX1. (In this case, press the portamento switch again, and it will function properly.)

To avoid such problems, always follow the following procedure.

1. Connect the KX1 to the receiving keyboard using the MIDI cable.
2. Turn the receiving keyboard ON.
3. Turn the KX1 ON.

LOCATION

Avoid placing your keyboard in direct sunlight or close to a source of heat. It is also important to avoid locations in which the instrument is likely to be subjected to vibration, excessive dust, cold or moisture.

HANDLING

Avoid applying excessive force to the instrument's knobs and switches.

CLEANING

Do not use solvents such as benzine or thinner to clean your keyboard as these may cause discoloration or staining of the instrument's exterior. Use a soft, dry cloth.

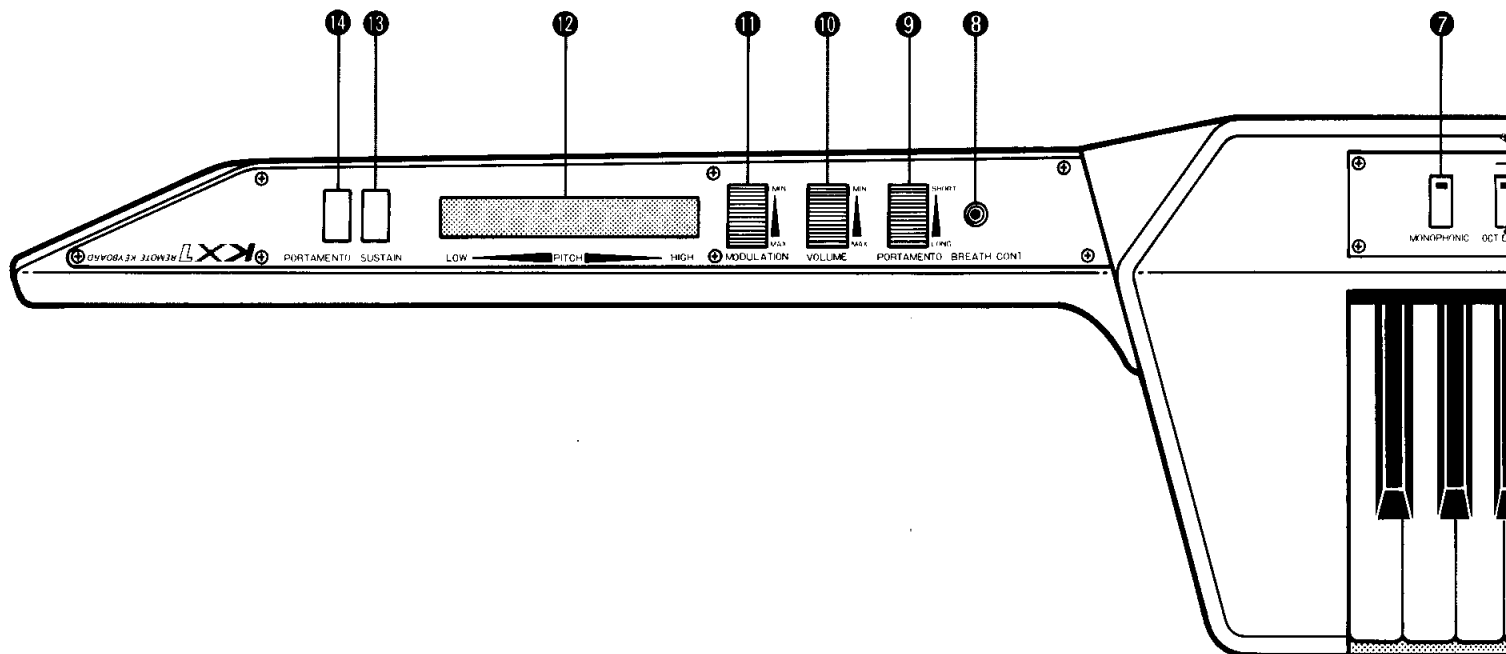
KEEP THIS MANUAL

After studying this manual thoroughly, it should be stored in a safe place for future reference.

OTHER APPLIANCES

Use your keyboard where its digital circuitry cannot be influenced by electromagnetic radiation from appliances such as televisions, radios, etc.

PANEL OPERATION



1 POWER SWITCH

Turn the KX1 power switch ON only after properly connecting the KX1 to your keyboard using the MIDI cable supplied. When the power switch is turned ON, one of the BANK indicators and one of the VOICE indicators in the preset voice selection section just above the KX1 keyboard will light.

2 DC IN TERMINAL

This terminal is for connection to an optional, battery pack that may be used to extend the battery life of the KX1. When the battery pack is connected, the KX1's internal batteries are disconnected.

3 MIDI OUT TERMINAL

Connects to the MIDI IN terminal on your keyboard used via the supplied midi cable. Voice and performance data are output to the keyboard via this terminal.

4 KEYBOARD

This is a 44-key keyboard covering a range from F1 to C5. The keyboard offers full initial and after touch sensitivity permitting subtle control of timbre or dynamics via key touch.

*No touch sensitivity is available if the KX1 is used with the Yamaha DX9 synthesizer, which does not support the keyboard touch sensitivity feature.

5 BANK & VOICE SELECTORS

These buttons permit selection of any of 32 voices programmed into the receiving keyboard's voice memory. Selection is carried out in 4 BANKs of 8 VOICES. To select voice number 10, for example, press the BANK 2 and VOICE 2 buttons. To select voice number 24, press the BANK 3 and VOICE 8 buttons.

*When using the KX1 with the DX9 synthesizer which has a maximum of 20 voice memories, BANK 1 offers voices 1–8, BANK 2 offers voices 9–16, and BANK 3 offers voices 17–20. Selecting higher numbered voices results in selection of DX9 voice number 20.

6 TRANSPOSE SELECTORS

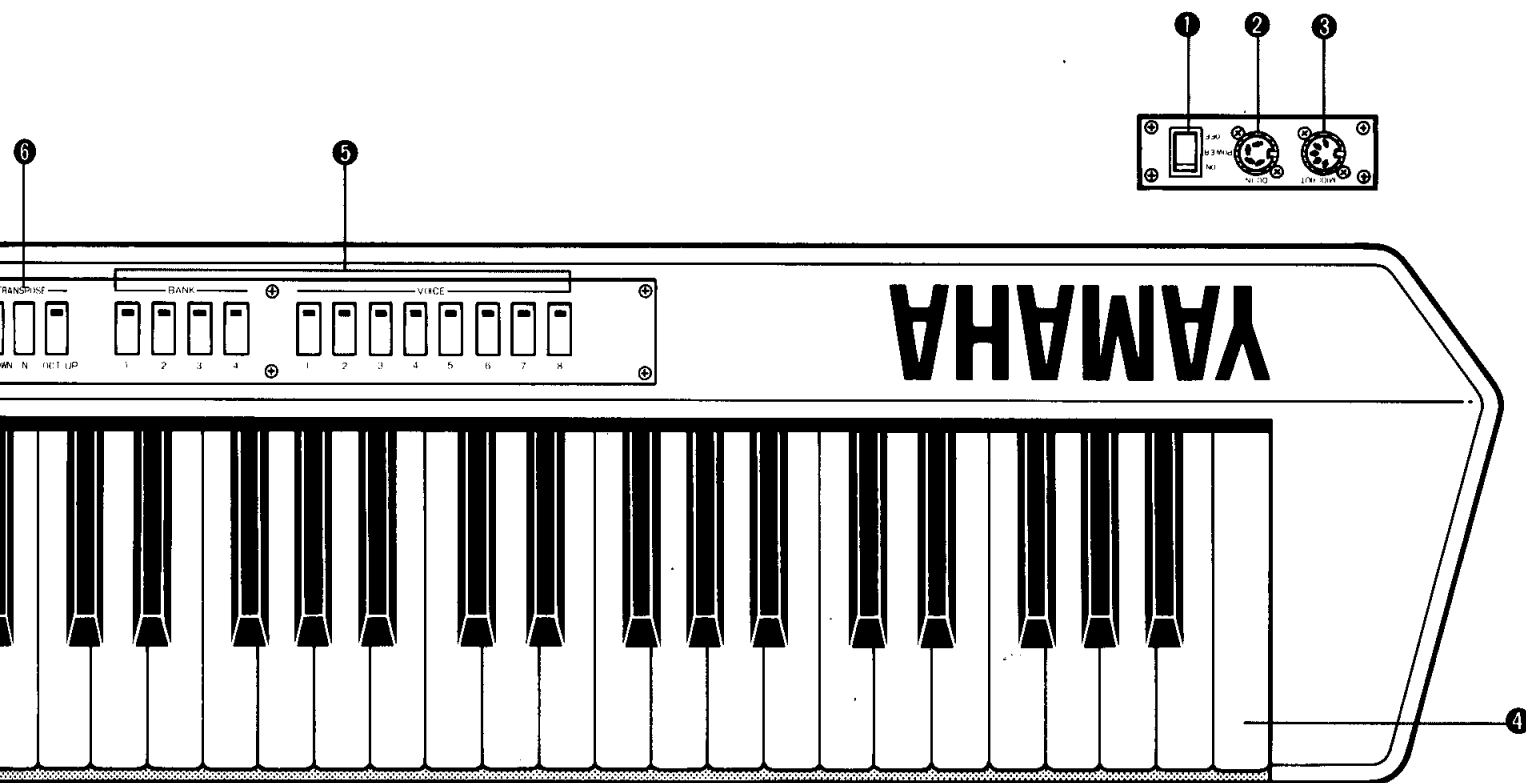
These selectors permit lowering or raising the pitch of the entire keyboard by 1 octave with respect to "normal" pitch.

7 MONOPHONIC SELECTOR

Turning this selector ON causes its indicator to light and sets the keyboard to the monophonic mode. Turn OFF to select the polyphonic mode.

8 BREATH CONT JACK

An optional BC1 Breath Controller can be plugged into this jack permitting breath control of modulation effects.



9 PORTAMENTO WHEEL

Adjusts the length of the portamento effect. Rolling the wheel towards "L" increases the portamento time.

10 VOLUME WHEEL

Adjusts the overall volume of the sound.

*The VOLUME wheel will not function with the DX9 synthesizer.

11 MODULATION WHEEL

Varies the depth of the modulation effect. The actual modulation effect varied is determined by the receiving keyboard settings.

12 PITCH BEND

This ribbon controller permits smooth pitch bend effects. Pressing the ribbon controller at any position creates a corresponding variation in pitch, within the range determined by the receiving keyboard.

13 SUSTAIN SWITCH

The sustain effect is applied while this switch is held.

14 PORTAMENTO SWITCH

Turns the portamento effect ON or OFF.

● SYNTHESIZER COMPATIBILITY

Some of the KX1 controls will not work with all synthesizers. Even within the Yamaha DX series, for example, the volume control will function with the DX7 but not with the DX9. Remote control of synthesizers from other manufacturers may not be possible due to different data transmission and reception formats.

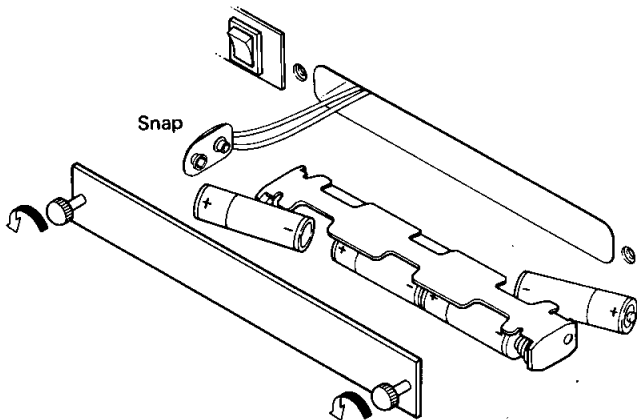
● When after-touch control doesn't work

With the DX7 receiving data from the KX1, and after-touch effect can be controlled with the DX7 keyboard but not from the KX1, turn the power to the KX1 ON while pressing the KX1 SUSTAIN switch.

BATTERY REPLACEMENT & STRAP CONNECTION

■ BATTERY REPLACEMENT

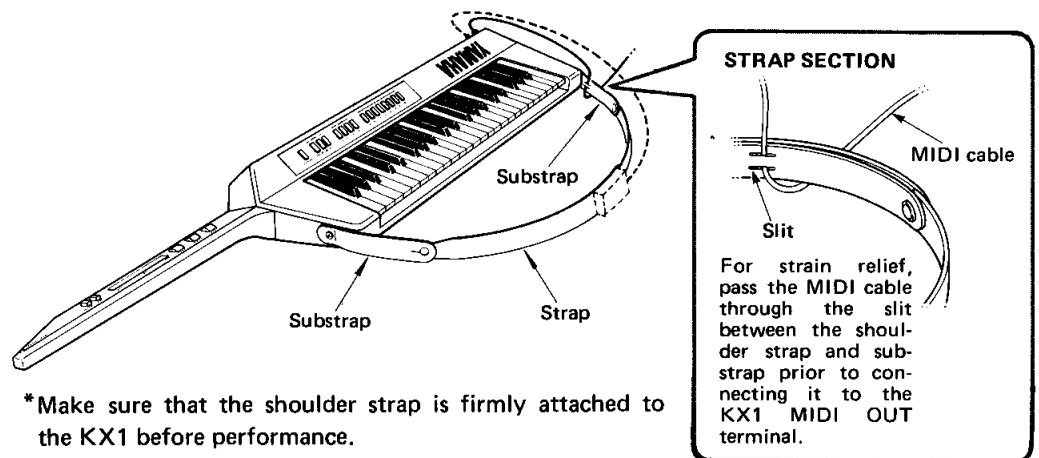
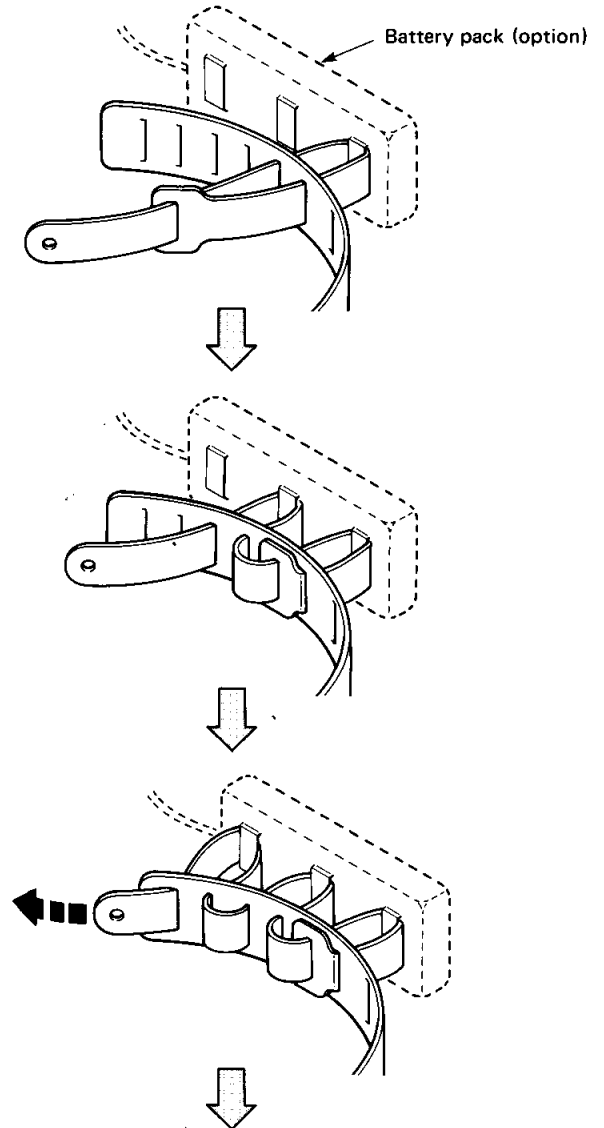
The KX1 has a battery voltage monitor system built in. When the battery voltage drops below a usable value, the VOICE indicators will begin to flash. When this happens be sure to replace all the KX1 batteries at the same time.



- ① Remove the battery compartment cover by unscrewing the two thumb screws as shown in the illustration.
- ② Remove the battery holder from the snap connector and replace the six "AA" or R6 batteries, carefully observing battery polarity.
 - * Battery life with high-quality alkaline batteries is approximately 7 hours, continuous operation.
 - * Remove the batteries from the KX1 if it will not be used for an extended period of time.

■ STRAP CONNECTION

When using the optional battery pack for the KX1, attach it to the KX1 shoulder strap as shown in the illustrations below.



*Make sure that the shoulder strap is firmly attached to the KX1 before performance.

SPECIFICATIONS

KEYBOARDS	44 keys F ₁ ~ C ₅ , INITIAL/AFTER TOUCH RESPONSE
TONE SELECTORS	BANK (1 ~ 4), VOICE (1 ~ 8)
CONTROL SWITCHES	TRANPOSE (OCT UP/N/OCT DOWN) MONOPHONIC (ON/OFF), SUSTAIN (ON/OFF), PORTAMENTO (ON/OFF)
RIBBON CONTROLLER	PITCH BEND
WHEELS	MODULATION, VOLUME PORTAMENTO TIME
CONNECTING TERMINALS	DC IN, MIDI OUT
CONTROL TERMINAL	BREATH CONTROL
POWER SOURCE	"AA" or R6 Battery x 6 or Battery Pack
LIFE OF BATTERY	7 hours in continuous use (with Alkaline Battery)
COLOR	Red, White
DIMENSIONS	1,248.5 x 88 x 231 mm (W x H x D) (49-1/8 x 3-1/2 x 9-1/8")
WEIGHT	6.0 kg (13.2 lbs.)
ACCESSORIES	Strap, MIDI Cable, "AA" or R6 Alkaline Battery x 6
OPTIONS	Battery Pack, BC1 Breath Controller

**All specifications are subject to change without notice.*

SINCE 1887  **YAMAHA**
NIPPON GAKKI CO., LTD. HAMAMATSU, JAPAN