

Technical Specifications

General Specifications

Model	VXL1(B/W)-24	VXL1(B/W)-16	VXL1(B/W)-8
Speaker type	Full-range, Bass reflex		
Component	1.5" (3.75 cm) Cone × 24	1.5" (3.75 cm) Cone × 16	1.5" (3.75 cm) Cone × 8
Coverage (-6 dB)	Horizontal: 170° Vertical: NORMAL: 15° (+7.5° - -7.5°), WIDE: 20° (+7.5° - -12.5°)	Horizontal: 170° Vertical: NORMAL: 25° (+12.5° - -12.5°), WIDE: 30° (+12.5° - -17.5°)	Horizontal: 170° Vertical: 40° (+20° - -20°)
Effective coverage (-10 dB)	Horizontal: 180° Vertical: NORMAL: 25° (+12.5° - -12.5°), WIDE: 35° (+12.5° - -22.5°)	Horizontal: 180° Vertical: NORMAL: 30° (+15° - -15°), WIDE: 45° (+15° - -30°)	Horizontal: 180° Vertical: 65° (+32.5° - -32.5°)
Nominal impedance	8Ω	12Ω	16Ω
Power rating	NOISE	110 W	80 W
	PGM	220 W	160 W
	MAX	440 W	320 W
Sensitivity (1 m/1 W)*1, *2	91 dB SPL (91 dB SPL: with port cover)	91 dB SPL (90 dB SPL: with port cover)	89 dB SPL (88 dB SPL: with port cover)
Maximum SPL*3	117 dB SPL (1 m)	116 dB SPL (1 m)	111 dB SPL (1 m)
Frequency range (-10 dB)*1		77 Hz - 20 kHz	81 Hz - 20 kHz
	(With port cover)	98 Hz - 20 kHz	108 Hz - 20 kHz
Connector	Euroblock (2 pin) × 2 (input: +/-) Max. wire size AWG12 (3.5 sq)		
Vertical coverage selector	NORMAL/WIDE		-
Overload protection	Full-range power limiting to protect network and transducers		
Magnetically shielded	No		
Dust and water resistant	IP34 (with port cover: IP35)		IP33 (with port cover: IP35)
Enclosure	Cabinet material	VXL1B-24/16/8: Aluminum extrusion cabinet, black VXL1W-24/16/8: Aluminum extrusion cabinet, white	
	Top/Bottom board material	ABS(UL94-5VB)	
Metal grille	Perforated aluminum (t=1.0 mm) Aperture ratio: 55%		
Finish	VXL1B-24/16/8: Black painting (approximate value: Munsell N3.0) VXL1W-24/16/8: White painting (approximate value: Munsell N9.0)		
Dimensions (W × H × D)	Speaker only	54 × 1212 × 104 mm	54 × 846 × 104 mm
	With included bracket	54 × 1212 × 111.5 mm	54 × 846 × 111.5 mm
Net weight	Speaker only	5.5 kg	3.9 kg
Packaging	Packaged in 1 pc		

*1 : Half-space (2 π)

*2 : Measured at 2 m; value converted to 1 m is shown (frequency range: 100 Hz - 10 kHz)

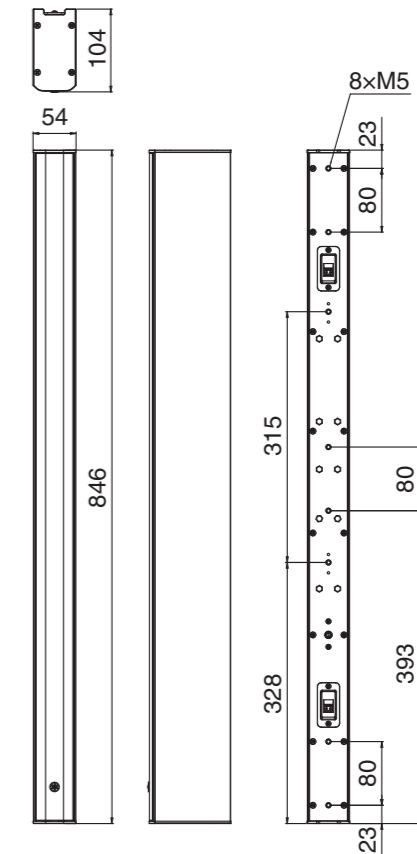
*3 : Calculated based on power rating and sensitivity, exclusive of power compression.

Dimensions

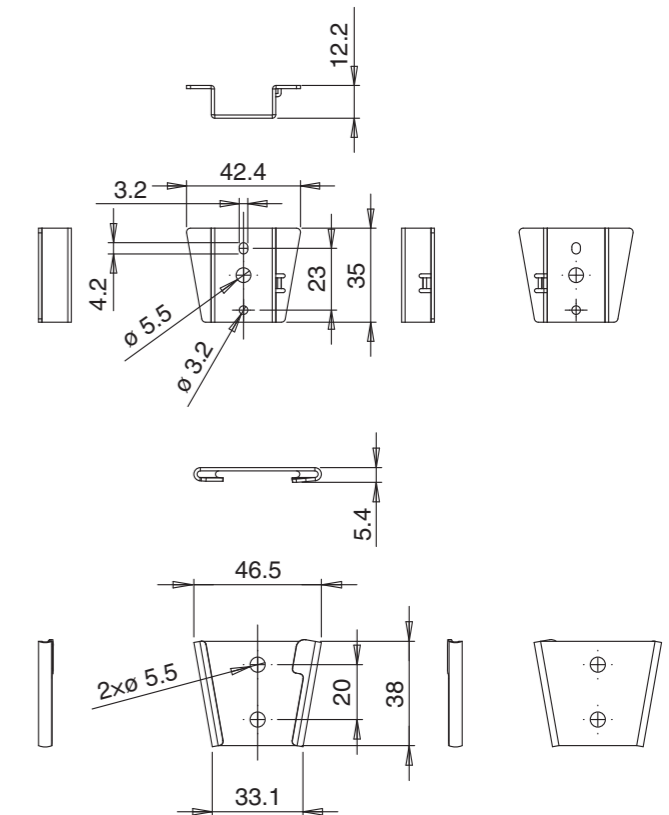
VXL1(B/W)-24



VXL1(B/W)-16

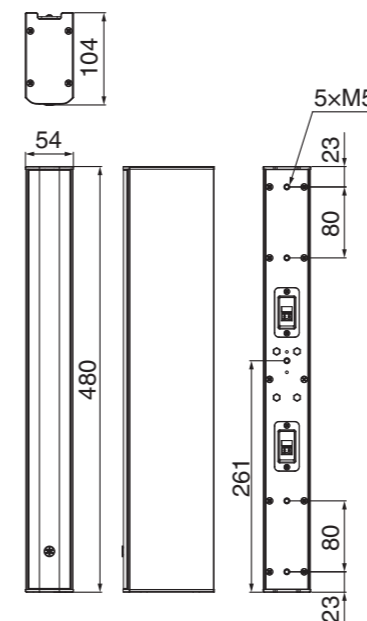


Mount Bracket



Unit: mm

VXL1(B/W)-8



* The contents of this manual apply to the latest specifications as of the publishing date. To obtain the latest manual, access the Yamaha website then download the manual file.

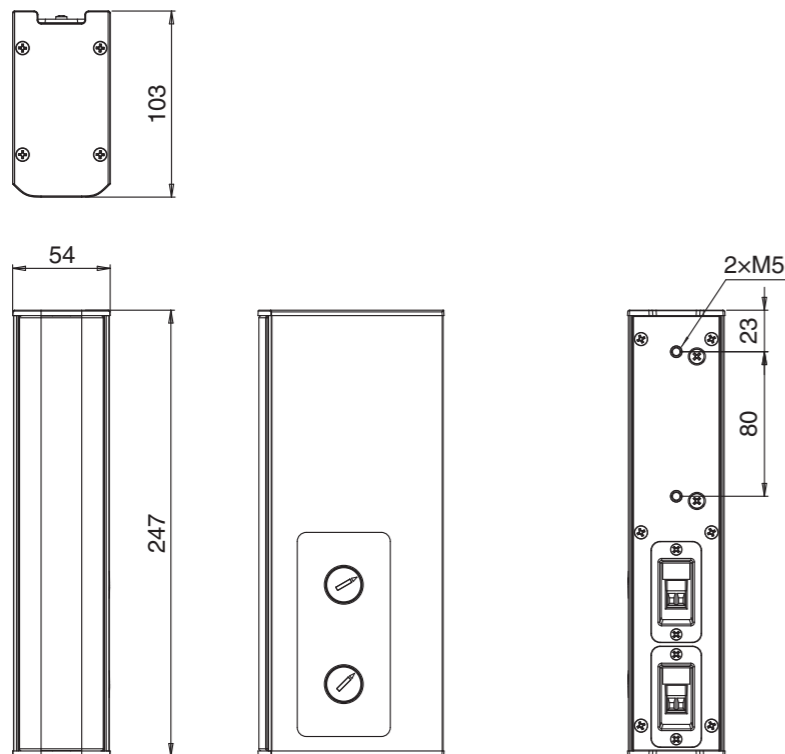
General Specifications

Model	ST-L1(B/W)	
Supported speaker	VXL1(B/W)-24/16/8	
Transformer taps	100 V	60 W, 30 W, 15 W
	70 V	60 W, 30 W, 15 W, 7.5 W
Speaker selector	VXL1(B/W)-24	
	VXL1(B/W)-16	
	VXL1(B/W)-8	
Dust and water resistant	IP35	
Dimensions (W × H × D)	54 × 247 × 103 mm	
Net weight	1.9 kg	

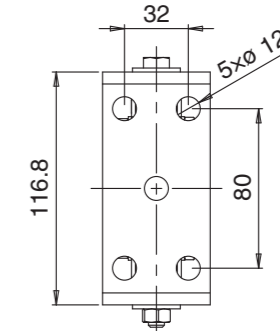
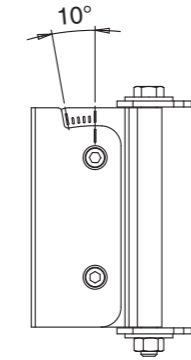
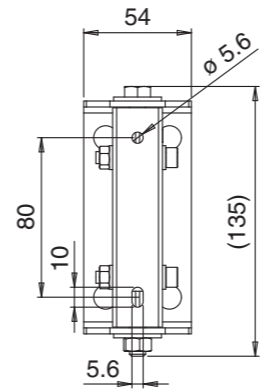
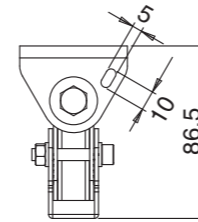
Model	WMB-L1(B/W)	VCB-L1B	VCSB-L1(B/W)	HCB-L1B
Material	Aluminum	Steel	Steel	Steel
Net weight	0.3 kg	0.23 kg	0.4 kg	(L) 0.19 kg (S) 0.06 kg

Dimensions

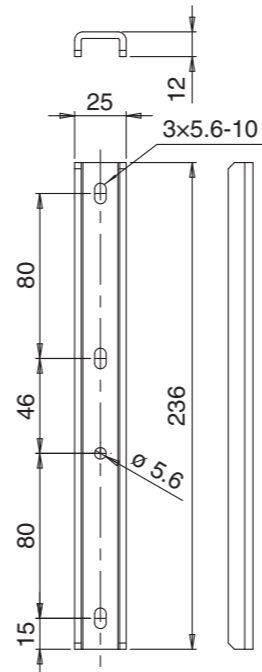
ST-L1(B/W)



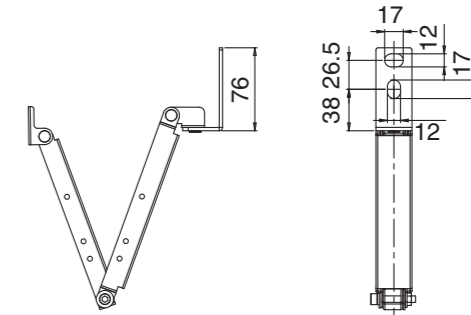
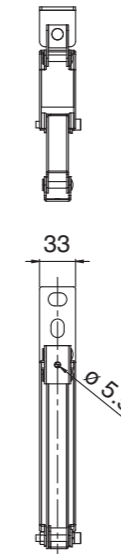
WMB-L1(B/W)



VCB-L1B

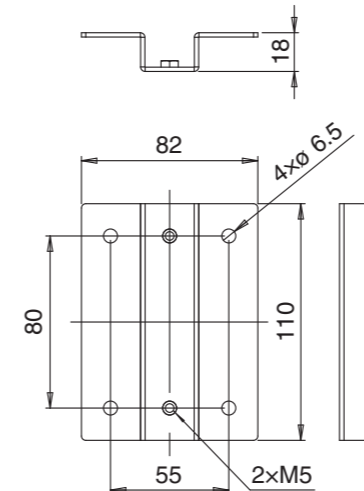


VCSB-L1(B/W)

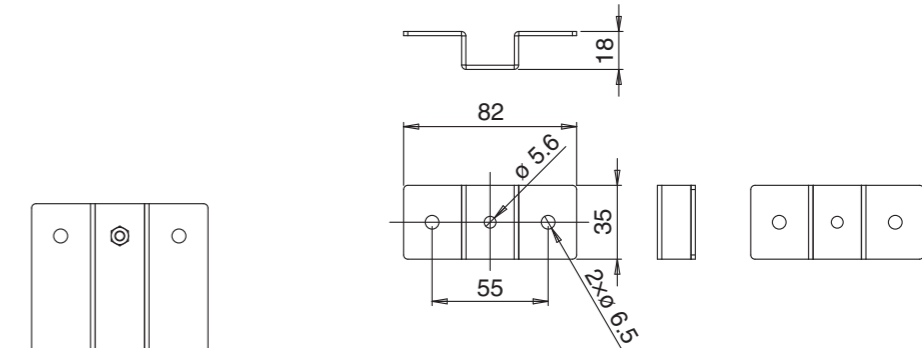


HCB-L1B

Coupling bracket (L)



Coupling bracket (S)



Unit: mm