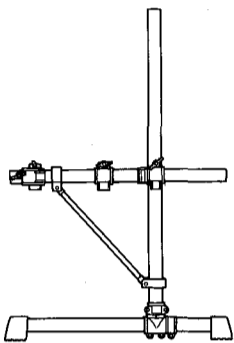


Thank you for purchasing the Yamaha Electronic Drum Rack System RS-80.  
Before using, thoroughly read this assembly manual, and use this product safely and correctly.

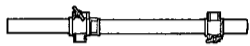
### ■ RS-80 Rack Stand Parts

\* Before assembling the rack stand, make sure all of the parts shown below are included.

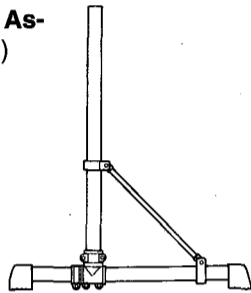
#### A Left Side Assembly (x1)



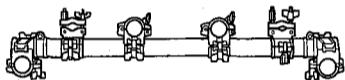
#### B Right Side Arm (x1)



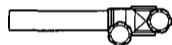
#### C Right Side Assembly (x1)



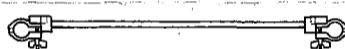
#### D Center Pipe Assembly (x1)



#### I Drum Pad Clamp (Short) (x2)



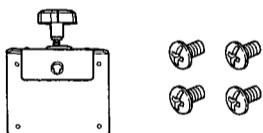
#### E Center Bar (x1)



#### J Drum Pad Clamp (Long) (x3)



#### F Module Holder (x1) (4 screws included)



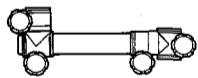
#### K Cymbal Holder (x2)



#### L Cable Band (x10)



#### G Module Holder Clamp (x1)



#### M Tuning Key (x1)

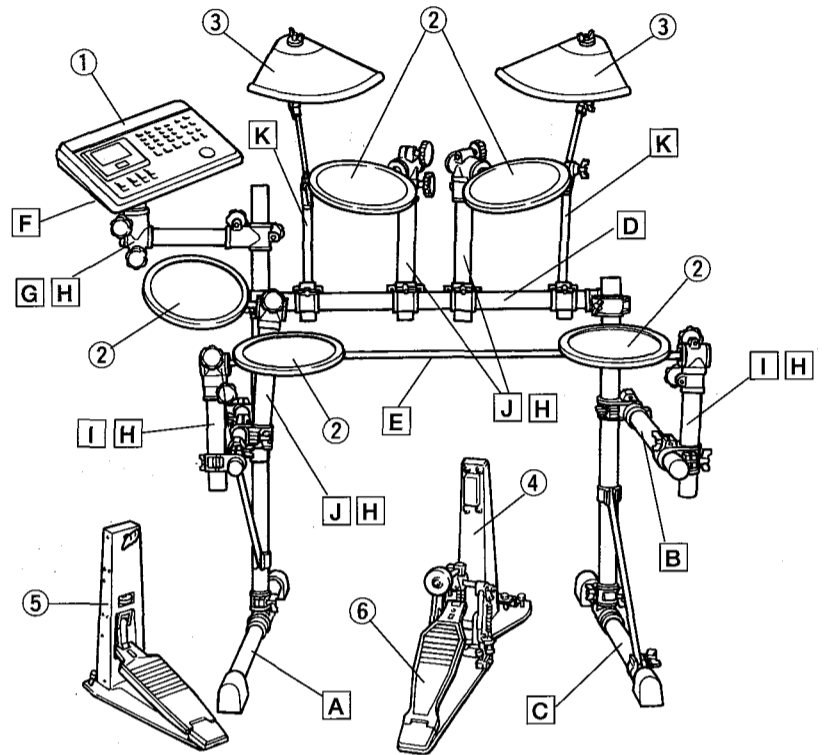


#### H Hex Rod Cylinder (x6)



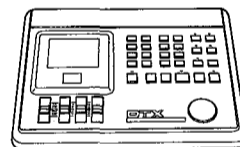
#### N Assembly Instructions (this sheet)

### ■ RS-80+Pad grouping : Set up example

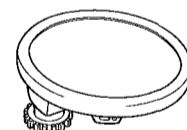


### ● Pad and Drum Trigger Grouping (option)

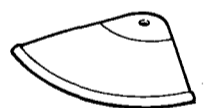
① DTX  
Drum Trigger Module



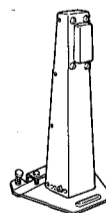
② TP80S/TP80  
Drum Pad



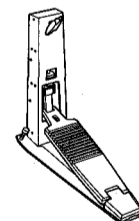
③ PCY80S/PCY80  
Cymbal Pad



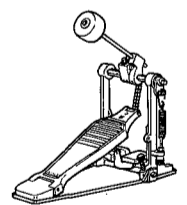
④ KP80  
Kick Pad



⑤ HH80  
Hi-hat Control Pedal



⑥ Foot Pedal  
\* FP-820 etc.



\* Specifications are subject to change without notice.

# RS-80 Assembly

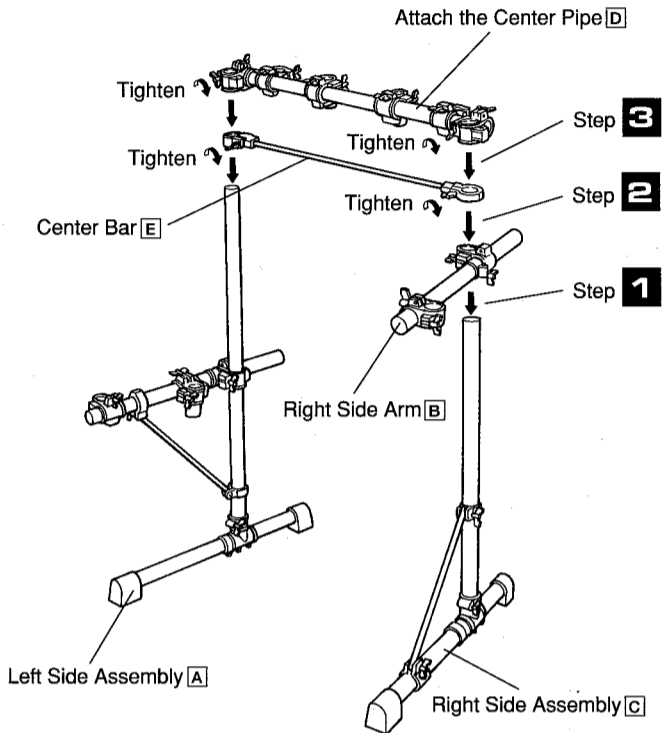
\* A screw driver (+ or -) is necessary to complete the assembly.

**Over-tightening of the fixing bolts may result in damage. Take care when tightening fixing bolts and screws.**

**1** Insert the Right Side Assembly **C** pipe into the Right Side Arm **B**, and tighten the fixing bolts.

**2** Insert the Left Side Assembly **A** pipe and the Right Side Assembly **C** pipe into the Center Bar **E**, and tighten the fixing bolts. Make sure that the Left and Right Side Assemblies are not reversed.

**3** Above the Center Bar **E**, attach the Center Pipe **D**, and tighten the fixing bolts.



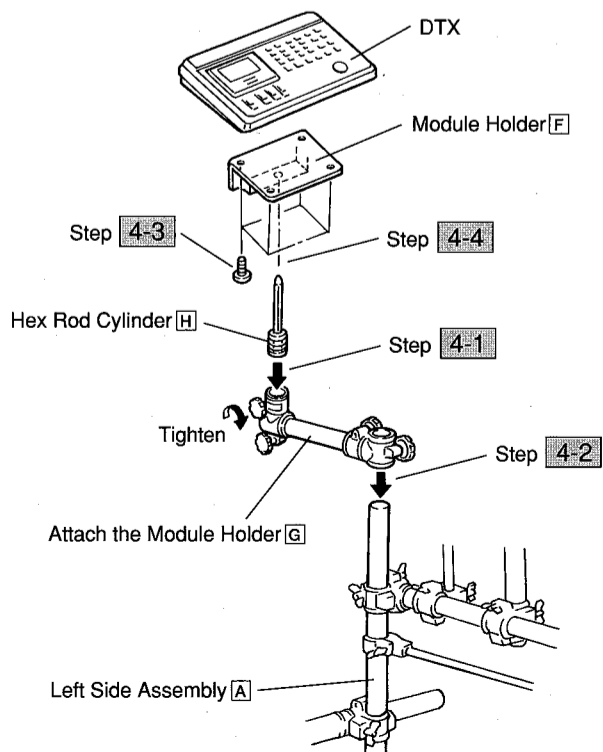
## 4 Attach the Module Holder

**4-1** Insert the Hex Rod Cylinder **H** into the Module Holder Clamp **G**, and tighten the fixing bolts.

**4-2** Attach the Module Holder Clamp **G** to the Left Side Assembly **A** pipe.

**4-3** Attach the DTX to the Module Holder **F**. With a screwdriver, use the screws included with the Module Holder to attach the holder to the bottom of the DTX.

**4-4** Attach the Module Holder **F** (with the DTX attached) to the Module Holder Clamp **G**.



## 5 Attach the Drum Pad Clamps

**5-1** Insert the Hex Rod Cylinders **H** into the Drum Pad Clamps **I** **J**, and tighten the fixing bolts.

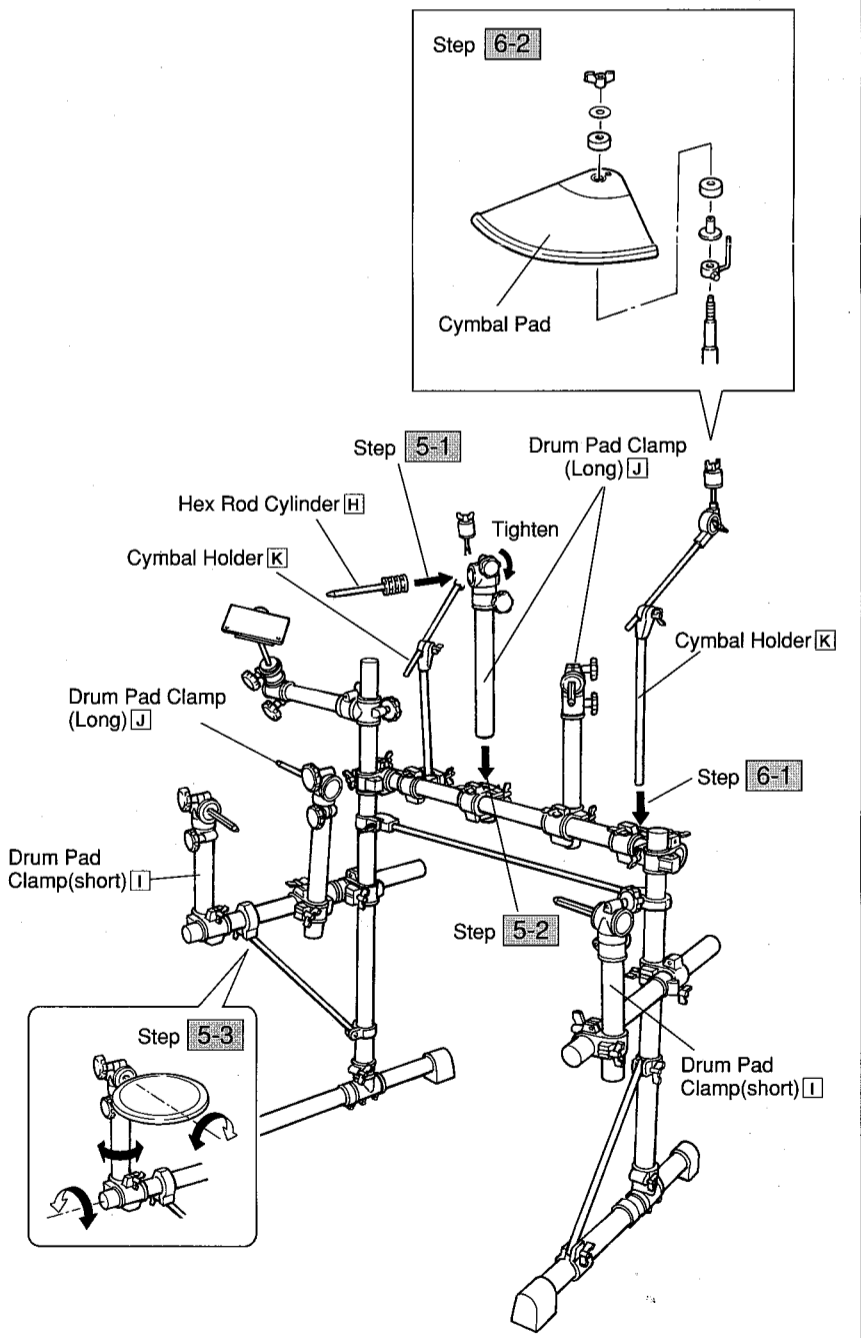
**5-2** Attach the Drum Pad Clamps (Short) **I** to the snare drum and floor tom positions. The Drum Pad Clamps (Long) **J** should be attached to the hi-hat and tom tom positions.

**5-3** Insert the Hex Rod Cylinders **H** in the pads, adjust the position of the pad and tighten the fixing bolts.

## 6 Attach the Cymbal Holders

**6-1** Insert the Cymbal Holders **K** into the Cymbal Holder Clamps that are attach to the left and right sides of the Center Pipe **D**, and tighten all fixing bolts.

**6-2** Attach the Cymbal Pad to the Cymbal Holders **K**, adjust the position and tighten the fixing bolts. (Refer to the Cymbal Pad's Owner's Manual for instructions on attaching the cymbal pad to the cymbal holder.)



After the above assembly is complete, set the Kick Pad, Hi-Hat Control Pedal, etc. into position and connect the necessary cables. To keep cable out of the way while playing, use the supplied Cable Bands to hold the cables to the rack systems's pipes.