



ARIUS

YDP-S52

Digital Piano / Piano Numérique / Piano Digital

English

Français

Español

Owner's Manual Mode d'emploi Manual de instrucciones

Before using the instrument, be sure to read "PRECAUTIONS" on pages 5-7.
For information on assembling the instrument, refer to the instructions at the end of this manual.

Avant d'utiliser l'instrument, lisez attentivement la section « PRÉCAUTIONS D'USAGE » aux pages 5 et 7.

Pour plus d'informations sur l'assemblage de l'instrument, reportez-vous aux instructions figurant à la fin de ce manuel.

Antes de utilizar el instrumento, lea las "PRECAUCIONES", en las páginas 5-7.
Para obtener más información sobre el montaje del instrumento, consulte las instrucciones que encontrará al final de este manual.

EN
FR
ES

SPECIAL MESSAGE SECTION

This product utilizes batteries or an external power supply (adapter). DO NOT connect this product to any power supply or adapter other than one described in the manual, on the name plate, or specifically recommended by Yamaha.

WARNING: Do not place this product in a position where anyone could walk on, trip over, or roll anything over power or connecting cords of any kind. The use of an extension cord is not recommended! If you must use an extension cord, the minimum wire size for a 25' cord (or less) is 18 AWG. NOTE: The smaller the AWG number, the larger the current handling capacity. For longer extension cords, consult a local electrician.

This product should be used only with the components supplied or; a cart, rack, or stand that is recommended by Yamaha. If a cart, etc., is used, please observe all safety markings and instructions that accompany the accessory product.

SPECIFICATIONS SUBJECT TO CHANGE:

The information contained in this manual is believed to be correct at the time of printing. However, Yamaha reserves the right to change or modify any of the specifications without notice or obligation to update existing units.

This product, either alone or in combination with an amplifier and headphones or speaker/s, may be capable of producing sound levels that could cause permanent hearing loss. DO NOT operate for long periods of time at a high volume level or at a level that is uncomfortable. If you experience any hearing loss or ringing in the ears, you should consult an audiologist. IMPORTANT: The louder the sound, the shorter the time period before damage occurs.

Some Yamaha products may have benches and/or accessory mounting fixtures that are either supplied with the product or as optional accessories. Some of these items are designed to be dealer assembled or installed. Please make sure that benches are stable and any optional fixtures (where applicable) are well secured BEFORE using.

Benches supplied by Yamaha are designed for seating only. No other uses are recommended.

NOTICE:

Service charges incurred due to a lack of knowledge relating to how a function or effect works (when the unit is operating as designed) are not covered by the manufacturer's warranty, and are therefore the owners responsibility. Please study this manual carefully and consult your dealer before requesting service.

ENVIRONMENTAL ISSUES:

Yamaha strives to produce products that are both user safe and environmentally friendly. We sincerely believe that our products and the production methods used to produce them, meet these goals. In keeping with both the letter and the spirit of the law, we want you to be aware of the following:

Battery Notice:

This product MAY contain a small non-rechargeable battery which (if applicable) is soldered in place. The average life span of this type of battery is approximately five years. When replacement becomes necessary, contact a qualified service representative to perform the replacement.

This product may also use "household" type batteries. Some of these may be rechargeable. Make sure that the battery being charged is a rechargeable type and that the charger is intended for the battery being charged.

When installing batteries, never mix old batteries with new ones, and never mix different types of batteries. Batteries MUST be installed correctly. Mismatches or incorrect installation may result in overheating and battery case rupture.

Warning:

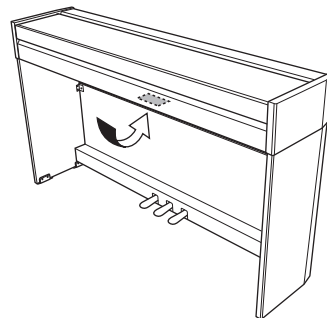
Do not attempt to disassemble, or incinerate any battery. Keep all batteries away from children. Dispose of used batteries promptly and as regulated by the laws in your area. Note: Check with any retailer of household type batteries in your area for battery disposal information.

Disposal Notice:

Should this product become damaged beyond repair, or for some reason its useful life is considered to be at an end, please observe all local, state, and federal regulations that relate to the disposal of products that contain lead, batteries, plastics, etc. If your dealer is unable to assist you, please contact Yamaha directly.

NAME PLATE LOCATION:

The name plate is located on the bottom of the product. The model number, serial number, power requirements, etc., are located on this plate. You should record the model number, serial number, and the date of purchase in the spaces provided below and retain this manual as a permanent record of your purchase.



Model _____

Serial No. _____

Purchase Date _____

For YDP-S52

COMPLIANCE INFORMATION STATEMENT (DECLARATION OF CONFORMITY PROCEDURE)

Responsible Party : Yamaha Corporation of America
Address : 6600 Orangethorpe Ave.,
Buena Park, Calif. 90620
Telephone : 714-522-9011
Type of Equipment : Digital Piano
Model Name : YDP-S52

This device complies with Part 15 of the FCC Rules.

Operation is subject to the following two conditions:

- 1) this device may not cause harmful interference, and
- 2) this device must accept any interference received including interference that may cause undesired operation.

See user manual instructions if interference to radio reception is suspected.

* This applies only to products distributed by (FCC DoC)
YAMAHA CORPORATION OF AMERICA.

For AC adaptor and YDP-S52

FCC INFORMATION (U.S.A.)

1. IMPORTANT NOTICE: DO NOT MODIFY THIS UNIT!

This product, when installed as indicated in the instructions contained in this manual, meets FCC requirements. Modifications not expressly approved by Yamaha may void your authority, granted by the FCC, to use the product.

2. **IMPORTANT:** When connecting this product to accessories and/or another product use only high quality shielded cables. Cable/s supplied with this product **MUST** be used. Follow all installation instructions. Failure to follow instructions could void your FCC authorization to use this product in the USA.

3. **NOTE:** This product has been tested and found to comply with the requirements listed in FCC Regulations, Part 15 for Class "B" digital devices. Compliance with these requirements provides a reasonable level of assurance that your use of this product in a residential environment will not result in harmful interference with other electronic devices. This equipment generates/uses radio frequencies and, if not installed and used according to the instructions found in the users manual, may cause interference harmful to the operation of other electronic devices. Com-

pliance with FCC regulations does not guarantee that interference will not occur in all installations. If this product is found to be the source of interference, which can be determined by turning the unit "OFF" and "ON", please try to eliminate the problem by using one of the following measures:

Relocate either this product or the device that is being affected by the interference.

Utilize power outlets that are on different branch (circuit breaker or fuse) circuits or install AC line filter/s.

In the case of radio or TV interference, relocate/reorient the antenna. If the antenna lead-in is 300 ohm ribbon lead, change the lead-in to co-axial type cable.

If these corrective measures do not produce satisfactory results, please contact the local retailer authorized to distribute this type of product. If you can not locate the appropriate retailer, please contact Yamaha Corporation of America, Electronic Service Division, 6600 Orangethorpe Ave, Buena Park, CA90620

The above statements apply **ONLY** to those products distributed by Yamaha Corporation of America or its subsidiaries.

* This applies only to products distributed by YAMAHA CORPORATION OF AMERICA.

(class B)

For AC adaptor

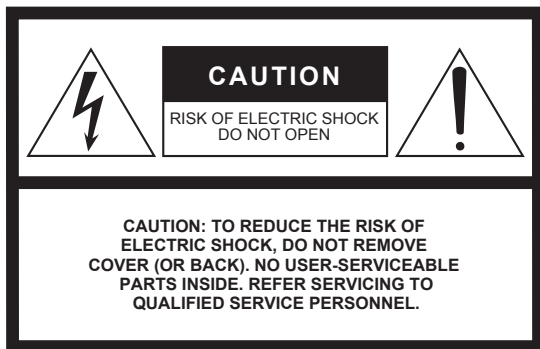
This device complies with Part 15 of the FCC Rules. Operation is subject to the following two conditions: (1) this device may not cause harmful interference, and (2) this device must accept any interference received, including interference that may cause undesired operation.

(fcc_sengen-C)

CAN ICES-3 (B)/NMB-3(B)

- This applies only to products distributed by Yamaha Canada Music Ltd.
- Ceci ne s'applique qu'aux produits distribués par Yamaha Canada Musique Ltée.

(can_b_01)



The above warning is located on the bottom of the unit.

Explanation of Graphical Symbols



The lightning flash with arrowhead symbol within an equilateral triangle is intended to alert the user to the presence of uninsulated “dangerous voltage” within the product’s enclosure that may be of sufficient magnitude to constitute a risk of electric shock to persons.



The exclamation point within an equilateral triangle is intended to alert the user to the presence of important operating and maintenance (servicing) instructions in the literature accompanying the product.

IMPORTANT SAFETY INSTRUCTIONS

- 1 Read these instructions.
- 2 Keep these instructions.
- 3 Heed all warnings.
- 4 Follow all instructions.
- 5 Do not use this apparatus near water.
- 6 Clean only with dry cloth.
- 7 Do not block any ventilation openings. Install in accordance with the manufacturer’s instructions.
- 8 Do not install near any heat sources such as radiators, heat registers, stoves, or other apparatus (including amplifiers) that produce heat.
- 9 Do not defeat the safety purpose of the polarized or grounding-type plug. A polarized plug has two blades with one wider than the other. A grounding type plug has two blades and a third grounding prong. The wide blade or the third prong are provided for your safety. If the provided plug does not fit into your outlet, consult an electrician for replacement of the obsolete outlet.
- 10 Protect the power cord from being walked on or pinched particularly at plugs, convenience receptacles, and the point where they exit from the apparatus.
- 11 Only use attachments/accessories specified by the manufacturer.
- 12 Use only with the cart, stand, tripod, bracket, or table specified by the manufacturer, or sold with the apparatus. When a cart is used, use caution when moving the cart/apparatus combination to avoid injury from tip-over.
- 13 Unplug this apparatus during lightning storms or when unused for long periods of time.
- 14 Refer all servicing to qualified service personnel. Servicing is required when the apparatus has been damaged in any way, such as power-supply cord or plug is damaged, liquid has been spilled or objects have fallen into the apparatus, the apparatus has been exposed to rain or moisture, does not operate normally, or has been dropped.



WARNING

TO REDUCE THE RISK OF FIRE OR ELECTRIC SHOCK, DO NOT EXPOSE THIS APPARATUS TO RAIN OR MOISTURE.

(UL60065_03)

PRECAUTIONS

PLEASE READ CAREFULLY BEFORE PROCEEDING

Please keep this manual in a safe and handy place for future reference.

For AC adaptor



WARNING

- This AC adaptor is designed for use with only Yamaha electronic instruments. Do not use for any other purpose.
- Indoor use only. Do not use in any wet environments.



CAUTION

- When setting up, make sure that the AC outlet is easily accessible. If some trouble or malfunction occurs, immediately turn off the power switch of the instrument and disconnect the AC adaptor from the outlet. When the AC adaptor is connected to the AC outlet, keep in mind that electricity is flowing at the minimum level, even if the power switch is turned off. When you are not using the instrument for a long time, make sure to unplug the power cord from the wall AC outlet.

For YDP-S52



WARNING

Always follow the basic precautions listed below to avoid the possibility of serious injury or even death from electrical shock, short-circuiting, damages, fire or other hazards. These precautions include, but are not limited to, the following:

Power supply/AC adaptor

- Do not place the power cord near heat sources such as heaters or radiators. Also, do not excessively bend or otherwise damage the cord, or place heavy objects on it.
- Only use the voltage specified as correct for the instrument. The required voltage is printed on the name plate of the instrument.
- Use the specified adaptor (page 33) only. Using the wrong adaptor can result in damage to the instrument or overheating.
- Check the electric plug periodically and remove any dirt or dust which may have accumulated on it.

Do not open

- This instrument contains no user-serviceable parts. Do not open the instrument or attempt to disassemble or modify the internal components in any way. If it should appear to be malfunctioning, discontinue use immediately and have it inspected by qualified Yamaha service personnel.

Water warning

- Do not expose the instrument to rain, use it near water or in damp or wet conditions, or place on it any containers (such as vases, bottles or glasses) containing liquids which might spill into any openings. If any liquid such as water seeps into the instrument, turn off the power immediately and unplug the power cord from the AC outlet. Then have the instrument inspected by qualified Yamaha service personnel.
- Never insert or remove an electric plug with wet hands.

Fire warning

- Do not put burning items, such as candles, on the unit. A burning item may fall over and cause a fire.

If you notice any abnormality

- When one of the following problems occur, immediately turn off the power switch and disconnect the electric plug from the outlet. Then have the device inspected by Yamaha service personnel.
 - The power cord or plug becomes frayed or damaged.
 - It emits unusual smells or smoke.
 - Some object has been dropped into the instrument.
 - There is a sudden loss of sound during use of the instrument.



CAUTION

Always follow the basic precautions listed below to avoid the possibility of physical injury to you or others, or damage to the instrument or other property. These precautions include, but are not limited to, the following:

Power supply/AC adaptor

- Do not connect the instrument to an electrical outlet using a multiple-connector. Doing so can result in lower sound quality, or possibly cause overheating in the outlet.
- When removing the electric plug from the instrument or an outlet, always hold the plug itself and not the cord. Pulling by the cord can damage it.
- Remove the electric plug from the outlet when the instrument is not to be used for extended periods of time, or during electrical storms.

Assembly

- Read carefully the attached documentation explaining the assembly process. Failure to assemble the instrument in the proper sequence might result in damage to the instrument or even injury.
- Be sure to attach the anti-fall brackets to the instrument, to ensure stability. Failure to do so might result in damage to the instrument or even injury.

Location

- Do not place the instrument in an unstable position where it might accidentally fall over.
- When transporting or moving the instrument, always use two or more people. Attempting to lift the instrument by yourself may damage your back, result in other injury, or cause damage to the instrument itself.
- Before moving the instrument, remove all connected cables, to prevent damage to the cables or injury to anyone who might trip over them.
- When setting up the product, make sure that the AC outlet you are using is easily accessible. If some trouble or malfunction occurs, immediately turn off the power switch and disconnect the plug from the outlet. Even when the power switch is turned off, electricity is still flowing to the product at the minimum level. When you are not using the product for a long time, make sure to unplug the power cord from the wall AC outlet.
- Use only the stand specified for the instrument. When attaching it, use the provided screws only. Failure to do so could cause damage to the internal components or result in the instrument falling over.

Connections

- Before connecting the instrument to other electronic components, turn off the power for all components. Before turning the power on or off for all components, set all volume levels to minimum.
- Be sure to set the volumes of all components at their minimum levels and gradually raise the volume controls while playing the instrument to set the desired listening level.

Handling caution

- Do not insert a finger or hand in any gaps on the key cover or instrument. Also take care that the key cover does not pinch your finger.
- Never insert or drop paper, metallic, or other objects into the gaps on the key cover, panel or keyboard. This could cause physical injury to you or others, damage to the instrument or other property, or operational failure.
- Do not rest your weight on, or place heavy objects on the instrument, and do not use excessive force on the buttons, switches or connectors.
- Do not use the instrument/device or headphones for a long period of time at a high or uncomfortable volume level, since this can cause permanent hearing loss. If you experience any hearing loss or ringing in the ears, consult a physician.

Yamaha cannot be held responsible for damage caused by improper use or modifications to the instrument, or data that is lost or destroyed.

Always turn the power off when the instrument is not in use.

Even when the [] (Standby/On) switch is in standby status (power lamp is off), electricity is still flowing to the instrument at the minimum level.

When you are not using the instrument for a long time, make sure you unplug the power cord from the wall AC outlet.

NOTICE

To avoid the possibility of malfunction/ damage to the product, damage to data, or damage to other property, follow the notices below.

■ Handling

- Do not use the instrument in the vicinity of a TV, radio, stereo equipment, mobile phone, or other electric devices. Otherwise, the instrument, TV, or radio may generate noise. When you use the instrument along with an application on your iPad, iPhone or iPod touch, we recommend that you set “Airplane Mode” to “ON” on that device in order to avoid noise caused by communication.
- Do not expose the instrument to excessive dust or vibrations, or extreme cold or heat (such as in direct sunlight, near a heater, or in a car during the day) to prevent the possibility of panel disfiguration, damage to the internal components or unstable operation. (Verified operating temperature range: 5° – 40°C, or 41° – 104°F.)
- Do not place vinyl, plastic or rubber objects on the instrument, since this might discolor the panel or keyboard.

■ Maintenance

- When cleaning the instrument, use a soft and dry/slightly damp cloth. Do not use paint thinners, solvents, alcohol, cleaning fluids, or chemical-impregnated wiping cloths.
- During extreme changes in temperature or humidity, condensation may occur and water may collect on the surface of the instrument. If water is left, the wooden parts may absorb the water and be damaged. Make sure to wipe any water off immediately with a soft cloth.
- As with an acoustic piano, pedals may become tarnished across the ages. When this occurs, polish the pedal with a compound designed for piano pedals. Before using the compound, make sure to read the instructions for proper usage.

■ Saving data

- Some of the data of this instrument (page 28) are retained when the power is turned off. However, the saved data may be lost due to some failure, an operation mistake, etc. Save your important data onto an external device such as a computer (page 28).

The model number, serial number, power requirements, etc., may be found on or near the name plate, which is at the bottom of the unit. You should note this serial number in the space provided below and retain this manual as a permanent record of your purchase to aid identification in the event of theft.

Model No.

Serial No.

Information

■ About copyrights

- Copying of the commercially available musical data including but not limited to MIDI data and/or audio data is strictly prohibited except for your personal use.
- This product incorporates and bundles contents in which Yamaha owns copyrights or with respect to which Yamaha has license to use others' copyrights. Due to copyright laws and other relevant laws, you are NOT allowed to distribute media in which these contents are saved or recorded and remain virtually the same or very similar to those in the product.
 - * The contents described above include a computer program, Accompaniment Style data, MIDI data, WAVE data, voice recording data, a score, score data, etc.
 - * You are allowed to distribute medium in which your performance or music production using these contents is recorded, and the permission of Yamaha Corporation is not required in such cases.

■ About functions/data bundled with the instrument

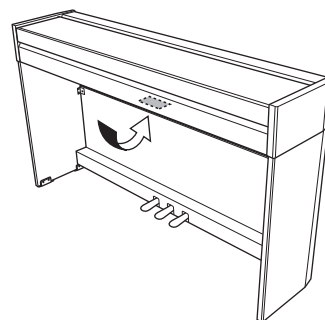
- Some of the preset songs have been edited for length or arrangement, and may not be exactly the same as the original.

■ About this manual

- The illustrations as shown in this manual are for instructional purposes only, and may appear somewhat different from those on your instrument.
- iPhone, iPad and iPod touch are trademarks of Apple Inc., registered in the U.S. and other countries.
- The company names and product names in this manual are the trademarks or registered trademarks of their respective companies.

■ Tuning

- Unlike an acoustic piano, this instrument does not need to be tuned by an expert (although the pitch can be user-adjusted to match other instruments). This is because the pitch of digital instruments is always maintained perfectly.



The name plate is located on the bottom of the unit.

(bottom_en_01)

Table of Contents

PRECAUTIONS	5
About the Manuals	9
Included Accessories	9
Panel Controls and Terminals	10

Basic Operations

Setting Up	11
Key Cover and Music Rest	11
Turning the Power On	12
Auto Power Off Function	13
Using Headphones	13
Playing the Piano.....	14
Setting the Volume	14
Intelligent Acoustic Control (IAC)	14
Using the Pedals.....	15
Using the Damper Resonance	15
Setting the Operation Confirmation Sounds.....	16
Changing the Touch Sensitivity	16
Using the Metronome.....	17

Advanced Operations

Playing Various Musical Instrument Sounds (Voices)	18
Selecting a Voice	18
Listening to the Demo Songs	19
Adding Variations to the Sound (Reverb)	20
Transposing the Pitch in Semitones	21
Fine-tuning the Pitch	21
Layering Two Voices (Dual mode)	22
Playing Duo	23
Song Playback and Practice	24
Listening to 50 Preset Songs.....	24
Practicing a One-Hand Part.....	25
Playing from the Top of the Bar Including a Rest or Blank.....	25

Recording Your Performance	26
Recording Your Performance	26
Changing the Initial Settings of the Recorded Song	27
Deleting Recorded Data	27
Backing up Data and Initializing the Settings	28
Data Maintained When Power is Turned Off.....	28
Saving the User Song data to a computer	28
Transferring SMF Files Between a Computer and this Instrument.....	28
Initializing the Settings.....	28

Appendix

Troubleshooting	29
Keyboard Stand Assembly.....	30
Specifications	33
Index.....	34

Thank you for choosing the Yamaha digital piano.

In order to make the most of the performance potential and features of the instrument, please read the manuals thoroughly, and keep them in a handy place for later reference.

About the Manuals

This instrument has the following manuals.

■ Included Manuals



Owner's Manual (this book)

Explains how to use the instrument.



Quick Operation Guide (separate sheet)

Shows in chart form the functions assigned to the buttons and the keyboard for quick understanding.

■ Online Manuals (PDF)



iPhone/iPad Connection Manual

Explains how to connect the instrument to a smart device, such as iPhone, iPad.



Computer-related Operations

Includes instructions on connecting this instrument to a computer, and operations related to transferring song data.



MIDI Reference

Contains the MIDI Data Format and MIDI Implementation chart, as well as descriptions on MIDI functions such as MIDI channel and Local Control settings.



MIDI Basics (only in English, French and German)

Contains basic explanations about MIDI.

To obtain these manuals, access the Yamaha Downloads website, select your country, enter “YDP-S52” in the Model Name box, then click [SEARCH].

Yamaha Downloads

<http://download.yamaha.com/>

Included Accessories

- Owner's Manual (this book)
- Quick Operation Guide (separate sheet)
- “50 Greats for the Piano” (music book)
- Online Member Product Registration^{*1}
- Warranty^{*2}
- AC adaptor^{*2}
- Power cord^{*2}

^{*1} You will need the PRODUCT ID on the sheet in order to fill out the User Registration form.

^{*2} May not be included depending on your particular area. Please check with your Yamaha dealer.

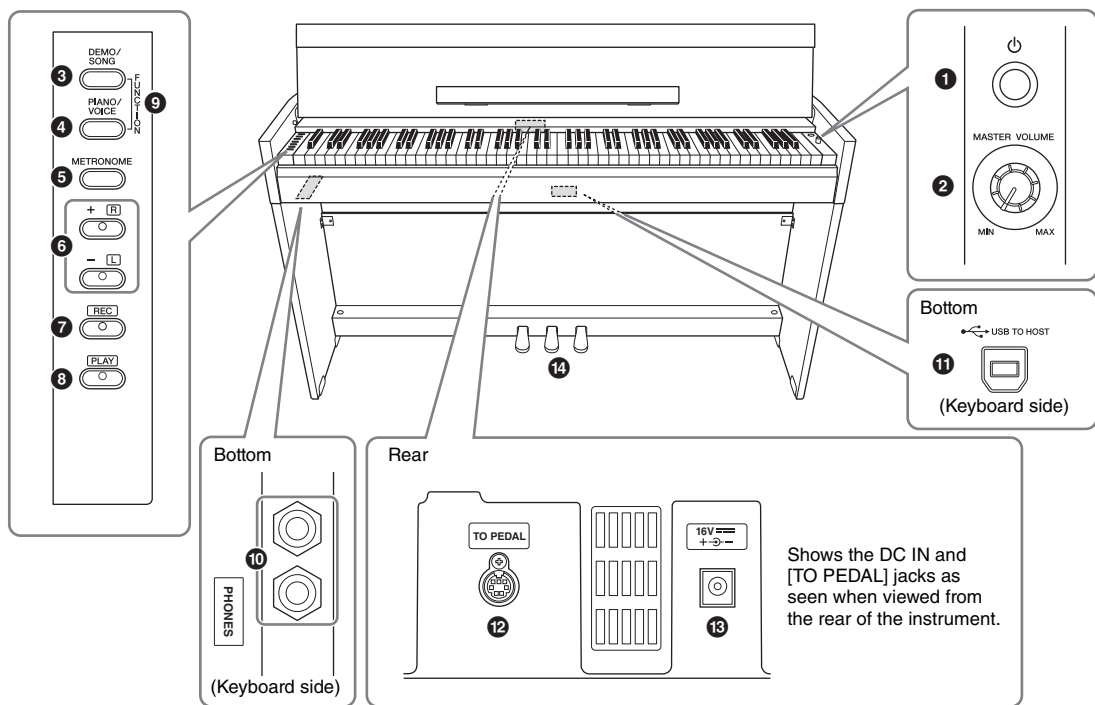
Smart device application

– Digital Piano Controller

With the specially developed Digital Piano Controller app running on your iPhone, iPad, or iPod touch, you can remotely control your digital piano for even more convenience and flexibility. By presenting various parameters on-screen, this app allows you to make settings in a visual, more intuitive manner. For more details on Digital Piano Controller, refer to the following Yamaha web site.
<http://yamaha.com/kbdapps/>

For instructions on connecting the instrument to a smart-device, refer to the “iPhone/iPad Connection Manual.”

Panel Controls and Terminals



- ❶ [⏻] (Standby/On) switch..... page 12
For turning the power on or setting to standby.
- ❷ [MASTER VOLUME] knob page 14
For adjusting the volume of the entire sound.
- ❸ [DEMO/SONG] button..... pages 19, 24
For playing the Demo Songs and the Preset Songs.
- ❹ [PIANO/VOICE] button..... pages 18, 20, 22
For selecting a single Voice, two Voices for layering or a Reverb Type.
- ❺ [METRONOME] button page 17
For starting or stopping the metronome.
- ❻ [+R], [-L] buttons pages 18, 21, 25
 - In general, these are for selecting the next or previous Voice.
 - During Song playback, these are for selecting the next or previous Song, and (while holding down [PLAY]) turning on/off the right-hand and left-hand Parts individually.
 - During Metronome playback, these are for increasing or decreasing the Tempo.
- ❼ [REC] button page 26
For recording your keyboard performance.
- ❽ [PLAY] button..... page 26
For playing back the recorded performance.

- ❾ [FUNCTION] pages 16, 21
Simultaneously holding both the [DEMO/SONG] and the [PIANO/VOICE] buttons and pressing a specified key allows you to change various settings, including MIDI, Transpose parameters, etc.
- ❿ [PHONES] jacks..... page 13
For connecting a set of standard stereo headphones.
- ⓫ [USB TO HOST] terminal
For connecting to a computer or a smart device such as iPhone or iPad. Refer to the online manual “Computer-related Operations” for connection to a computer. For instructions on using MIDI, refer to the online manual “MIDI Reference” (page 9).

NOTICE
Use an AB type USB cable of less than 3 meters. USB 3.0 cables cannot be used.
- ⓬ [TO PEDAL] jack page 31
For connecting the pedal cord.
- ⓭ DC IN jack..... page 12
For connecting the AC adaptor.
- ⓮ Pedals page 15
For controlling expression and sustain, just as on an acoustic piano.

Setting Up

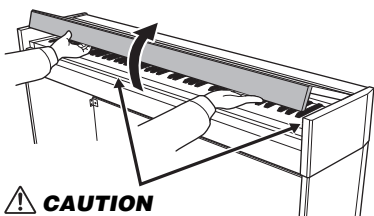
Key Cover and Music Rest

⚠ CAUTION

Hold the key cover with both hands when opening or closing it. Do not release it until it is fully opened or closed. Be careful to avoid catching fingers (yours or others, especially children's) between the key cover and main unit.

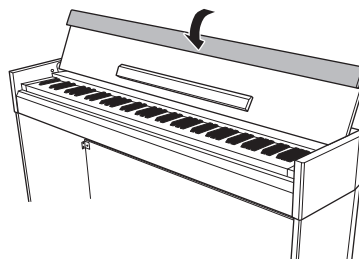
Opening the key cover

1. Hold the edge of the key cover top with both hands, then open the key cover slowly.
2. Fold down the front part of the key cover.

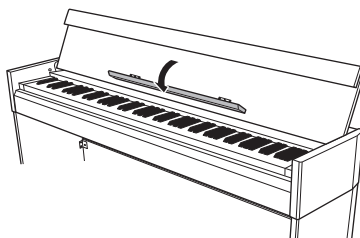


⚠ CAUTION

Be careful to avoid catching your fingers when opening or closing the cover.

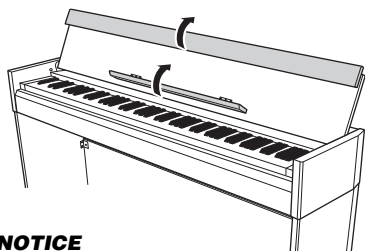


3. Unfold the music rest.



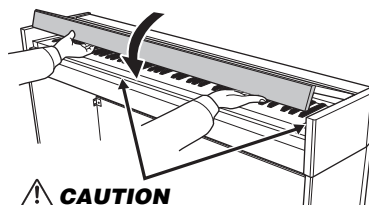
Closing the key cover

1. Fold the music rest.
2. Unfold the front part of the key cover.
3. Hold the key cover with both hands and close it slowly.



NOTICE

Before closing the key cover, be sure to fold the music rest and unfold the front part of the key cover.

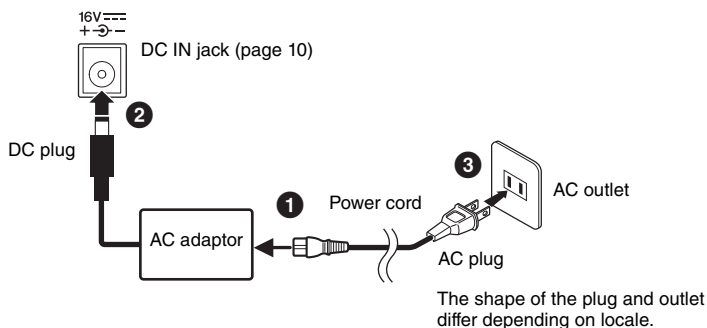


⚠ CAUTION

Be careful to avoid catching your fingers when opening or closing the cover.

Turning the Power On

1. Connect the plugs of the AC adaptor in the order shown in the illustration.

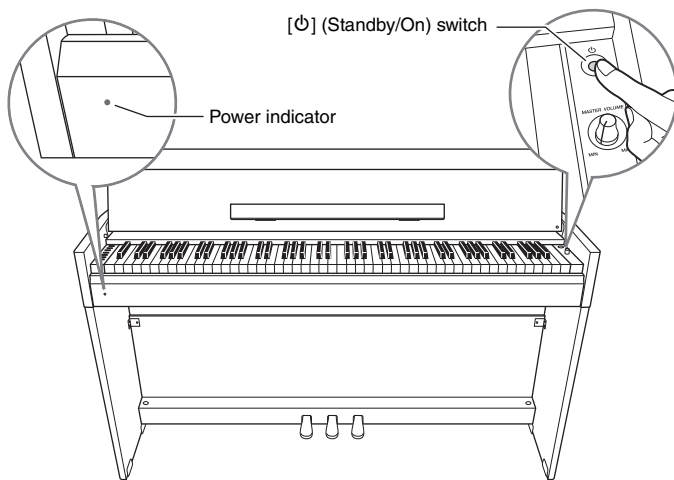


⚠ WARNING
 Use the specified adaptor (page 33) only. The use of other adaptors may result in irreparable damage to both the adaptor and the instrument.

⚠ CAUTION
 Remove the AC plug from the AC outlet when the instrument is not to be used for extended periods of time, or during electrical storms.

NOTE
 Follow this procedure in reverse order when disconnecting the AC adaptor.

2. Press the [⏻] (Standby/On) switch to turn the power on.



Power indicator
 If you close the key cover without turning the power to standby, the power indicator remains lit, indicating that the power is still on. When you're ready to turn the power to standby, press the [⏻] (Standby/On) switch again for a second. The power indicator turns off.

⚠ CAUTION
 Even when the [⏻] (Standby/On) switch is in the standby status, electricity is still flowing to the instrument at a minimum level. When not using the instrument for an extended period of time, be sure to unplug the power cord from the wall AC outlet.

Auto Power Off Function

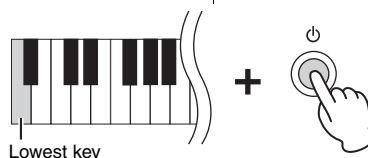
To prevent unnecessary power consumption, this instrument features an Auto Power Off function that automatically turns the power off if the instrument is not operated for approximately 30 minutes. If you do not want to use the Auto Power Off function, disable the function as described below. The setting (disabled or enabled) is retained even if the power is turned off.

Default setting:
Enable

Disabling the Auto Power Off function

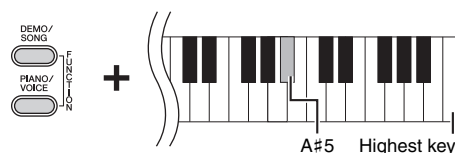
When the instrument is turned off

While holding down the A-1 key (the lowest key), press the [⏻] (Standby/On) to turn the instrument on. The [REC] indicator flashes three times, indicating the Auto Power Off function has been disabled.



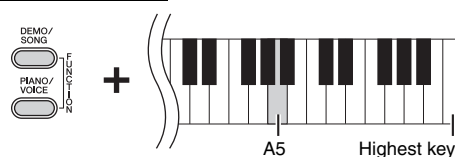
When the instrument is turned on

While holding down the [DEMO/SONG] and the [PIANO/VOICE] simultaneously, press the A#5 key.



Enabling the Auto Power Off function

While holding down the [DEMO/SONG] and the [PIANO/VOICE] simultaneously, press the A5 key.



Using Headphones

Since this instrument is equipped with two [PHONES] jacks, you can connect two sets of standard stereo headphones. If you are using only one set of headphones, insert a plug into either jack, which automatically shuts off the speakers.

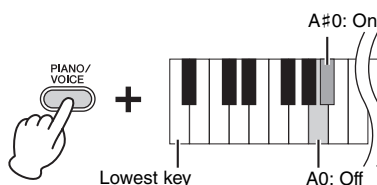
⚠ CAUTION

Do not use headphones at a high volume for an extended period of time; doing so may cause hearing loss.

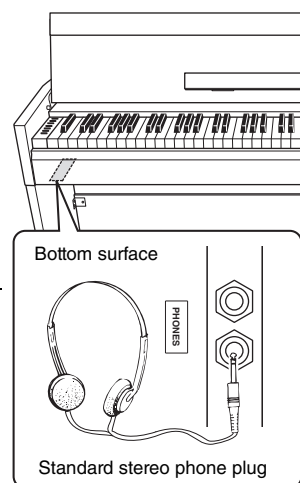
Reproducing a natural sense of distance (Stereophonic Optimizer)

The Stereophonic Optimizer gives you the feeling of playing an actual acoustic piano — even though you're listening through headphones. Normally, the sound comes out from headphones sounds very close to your ears. However, this Stereophonic Optimizer effect recreates a natural distance or the sense of physical space between your ears and the instrument, just as when playing an acoustic piano.

While holding down the [PIANO/VOICE], press the A#0 key to turn the function on. Press the A0 key while holding down the [PIANO/VOICE] to turn the function off.



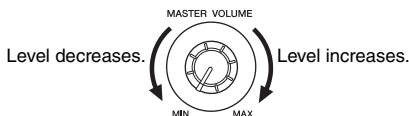
Default setting:
On



Playing the Piano

Setting the Volume

When you start playing, use the [MASTER VOLUME] knob to adjust the volume of the entire keyboard sound.



CAUTION

Do not use this instrument at a high volume level for a long period of time, or your hearing may be damaged.

Intelligent Acoustic Control (IAC)

With this function, the sound quality of this instrument is automatically adjusted and controlled according to the overall volume. Even when the volume is low, this lets you hear both low sounds and high sounds clearly.

Default setting:
On

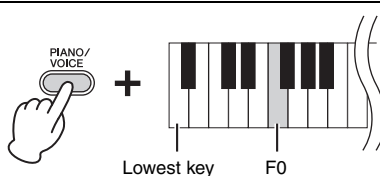
To turn on IAC:

While holding down [PIANO/VOICE], press the F#0 key.



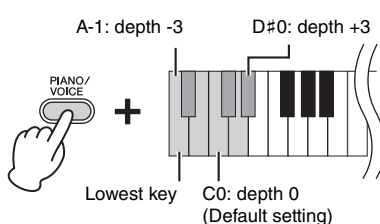
To turn off IAC:

While holding down [PIANO/VOICE], press the F0 key.



To adjust IAC Depth:

While holding down [PIANO/VOICE], press one of the A-1 – D#0 keys.



The higher the value, the more clearly that low and high sounds are heard at lower volume levels.

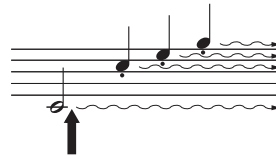
Setting range:
A-1 (-3) – D#0 (+3)

Default setting:
C0 (0)

Using the Pedals

Damper Pedal (Right)

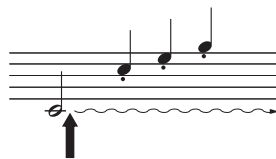
Pressing this pedal will sustain notes longer. Releasing this pedal immediately stops (damps) any sustained notes. This pedal also features a “half-pedal” function that creates partial sustain effects, depending on how far down you press the pedal.



When you press the damper pedal here, this note and the notes you play before you release the pedal sustain longer.

Sostenuto Pedal (Center)

Pressing this pedal while holding the notes will sustain the pressed notes (as if the Damper Pedal had been pressed), but all subsequently played notes will not be sustained. This makes it possible to sustain a chord or single low note, for example, while the other notes are played “staccato.”



When you press the sostenuto pedal here while holding the note, the note will sustain as long as you hold the pedal.

Soft Pedal (Left)

Pressing this pedal will reduce the volume and slightly change the timbre of the notes. The notes played before this pedal is pressed are not affected. When you select the Jazz Organ Voice, pressing the left pedal switches between fast/slow rotation of the rotary speaker (page 18).

NOTE

If the damper pedal doesn't work, make sure that the pedal cord is properly plugged into the main unit (page 31).

Half-pedal function

This function allows you to vary the sustain length depending on how far the pedal is pressed. The farther down you press the pedal, the more the sound sustains. For example, if you press the damper pedal and all notes you are playing sound a bit murky and loud with too much sustain, you can release the pedal half way or higher to decrease the sustain (murkiness).

NOTE

While the sostenuto pedal is held, the organ and strings Voices sound continuously without decay after the notes have been released.

Using the Damper Resonance

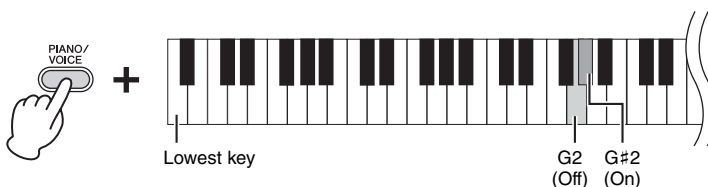
The Damper Resonance effect simulates the sustain sound of the damper pedal on a grand piano, as if you were pressing the damper pedal and playing the keyboard. This effect is applied to the entire sound of the instrument.

To turn on the Damper Resonance:

While holding [PIANO/VOICE], press the G#2 key.

To turn off the Damper Resonance:

While holding [PIANO/VOICE], press the G2 key.



Default setting:

On

Setting the Operation Confirmation Sounds

Because of the simple, piano-like design of this instrument, there are a minimum of panel controls, and most settings are made using the keys of the keyboard. When you turn a function on or off, or change a setting, the instrument produces a sound to confirm the change. There are three types of sounds used: an ascending sound for on, a descending sound for off, and clicks for other settings. In the Metronome setting (page 17), a numeric value is read out when a tempo is specified by a three-digit value using the keyboard. For the list of functions assigned to the buttons and keys, see “Quick Operation Guide” (separate sheet).

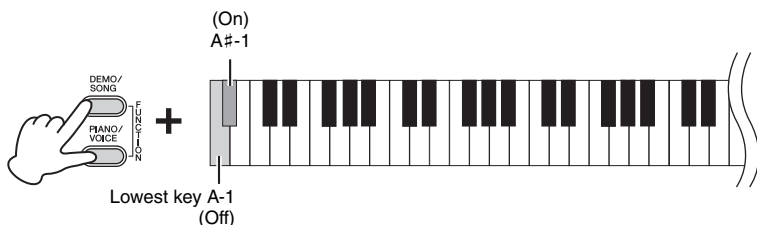
Turning the Operation Confirmation Sounds on

Press the A#-1 key while holding down the [DEMO/SONG] and the [PIANO/VOICE] simultaneously.

Turning the Operation Confirmation Sounds off

Press the A-1 key while holding down the [DEMO/SONG] and the [PIANO/VOICE] simultaneously.

Default setting:
On



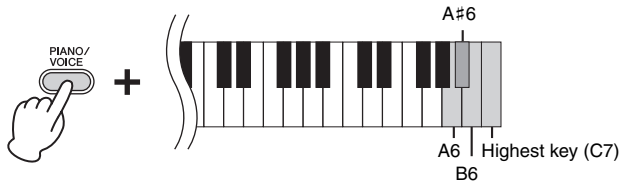
Changing the Touch Sensitivity

You can specify the Touch Sensitivity (how the sound responds to the way you play the keys).

While holding down [PIANO/VOICE], press one of the A6 – C7 keys.

NOTE
This setting is disabled with some Voices, such as an organ sound.

Default setting:
B6 (Medium)

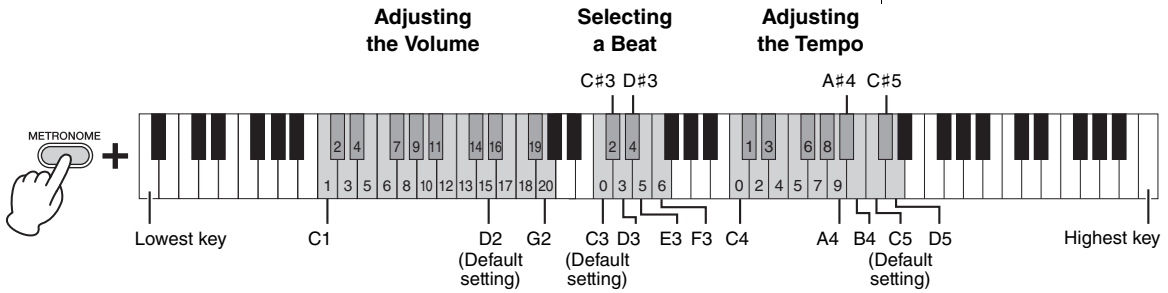


Key	Touch Sensitivity	Description
A6	Fixed	The volume level does not change at all regardless of whether you play the keyboard soft or hard.
A#6	Soft	The volume level does not change much when you play the keyboard soft or hard.
B6	Medium	This is the standard piano touch response.
C7	Hard	The volume level changes very widely from pianissimo to fortissimo to facilitate dynamic and dramatic expression. You have to hit the keys hard to produce a loud sound.

Using the Metronome

The metronome feature is convenient for practicing with an accurate tempo.

1. Press [METRONOME] to start the Metronome.
2. Press [METRONOME] to stop the Metronome.



Selecting a Beat

While holding down [METRONOME], press one of the C3 – F3 keys.

Key	Beat
C3	0
C#3	2
D3	3
D#3	4
E3	5
F3	6

Adjusting the Tempo

The Metronome tempo can be set from 5 to 280 beats per minute.

- **To increase or decrease the value by 1:**

While the metronome is playing, press [+R] to increase or [-L] to decrease. Alternatively, press and hold down [METRONOME], and press the C#5 key to increase or B4 key to decrease.

- **To increase or decrease the value by 10:**

While holding down [METRONOME], press the D5 key to increase or the A#4 key to decrease.

- **To specify a three-digit value:**

While holding down [METRONOME], press the relevant C4 – A4 keys one by one in order. For example to specify “95,” press the C4 (0), A4 (9) and F4 (5) keys in order.

- **Resetting the value to the default (120)**

While holding down [METRONOME], press the [+R] and [-L] simultaneously, or press the C5 key.

Adjusting the Volume

While holding down [METRONOME], press one of the keys between C1 and G2 to set the volume of the metronome. Pressing a higher key results in higher volume, while pressing a lower key results in lower volume.

Default setting:

0 (C3)

NOTE

A numeric value is read out when a relevant key is pressed.

Setting range:

C1 (1) – G2 (20)

Default setting:

D2 (15)

Playing Various Musical Instrument Sounds (Voices)

Selecting a Voice

To select “Grand Piano 1”:

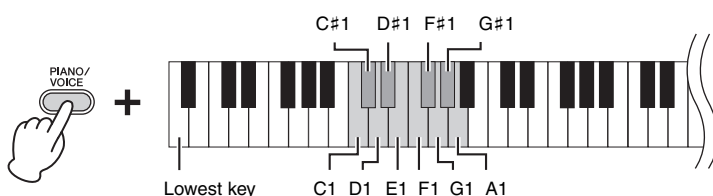
Simply press [PIANO/VOICE].

To select another Voice:

After pressing [PIANO/VOICE], press [+R] or [-L] to select the next or previous Voice.

To select a specific Voice:

While holding down [PIANO/VOICE], press one of the C1 – A1 keys. For details on which Voice is assigned to each key, see the list below.



NOTE

To hear the characteristics of the Voices, play back the Demo Songs (page 19).

Voice List

Key	Voice Name	Voice description
C1	Grand Piano 1	This sound was sampled from a full concert grand piano. It uses different samples depending on the strength of your playing and produces smoother tonal changes. Suitable not only for classical compositions but also for piano pieces of any style.
C#1	Grand Piano 2	Warm and soft piano sound. Good for playing ballads.
D1	Grand Piano 3	Bright piano sound. Clear tone helps the sound to “cut through” when playing in an ensemble.
D#1	E.Piano 1	An electronic piano sound created by FM synthesis. Good for standard popular music.
E1	E.Piano 2	The sound of an electric piano using hammer-struck metallic “tines.” Soft tone when played lightly, and an aggressive tone when played hard.
F1	Harpsichord	The definitive instrument for baroque music. Since harpsichord uses plucked strings, there is no touch response. There is, however, a characteristic additional sound when the keys are released.
F#1	Vibraphone	Vibraphone played with relatively soft mallets. The tone becomes more metallic the harder you play.
G1	Pipe Organ	This is a typical pipe organ sound (8 feet + 4 feet + 2 feet). Good for sacred music from the Baroque period.
G#1	Jazz Organ	The sound of a “tonewheel” type electric organ. Often heard in jazz and rock music. The rotary speed of the rotary speaker effect can be switched by using the left pedal.
A1	Strings	Stereo-sampled, large-scale strings ensemble with realistic reverb. Try combining this Voice with piano in the Dual mode.

Listening to the Demo Songs

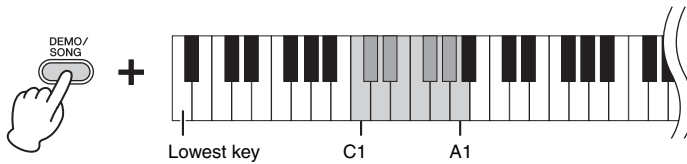
Special individual Demo Songs are provided for all of the instrument Voices.

1. Press [DEMO/SONG] to start playback.

The [PLAY] lamp flashes, and the Demo Song for the current Voice starts. Starting with the selected song, the playback of the Demo Songs will continue. After the last demo song, the sequence then returns to the first Demo Song and repeats until you stop it.

To change the Demo Song during playback:

Press the [+R] or [-L] to change to the next or previous Demo Song. To change to a specific Demo Song, press and hold down the [DEMO/SONG], then press one of the C1 – A1 keys.



NOTE

If you want to change the playback tempo, see page 17.

2. Press [DEMO/SONG] or [PLAY] to stop playback.

The [PLAY] lamp turns off.

Demo Song List

Key	Voice Name	Title	Composer
C1	Grand Piano 1	Blumenlied	G. Lange
C#1	Grand Piano 2	Von fremden Landern und Menchen, Kinderszenen op. 15-1	R. Schumann
D1	Grand Piano 3	Original	Original
D#1	E.Piano 1	Original	Original
E1	E.Piano 2	Original	Original
F1	Harpsichord	Concerto a cembalo obbligato, 2 violini, viola e continuo No. 7, BWV. 1058	J. S. Bach
F#1	Vibraphone	Original	Original
G1	Pipe Organ	Herr Christ, der ein'ge Gottes-Sohn, BWV. 601	J. S. Bach
G#1	Jazz Organ	Original	Original
A1	Strings	Original	Original

The Demo Songs excluding original Songs are short rearranged excerpts from the original compositions. The original Demo Songs are Yamaha originals (©2015 Yamaha Corporation).

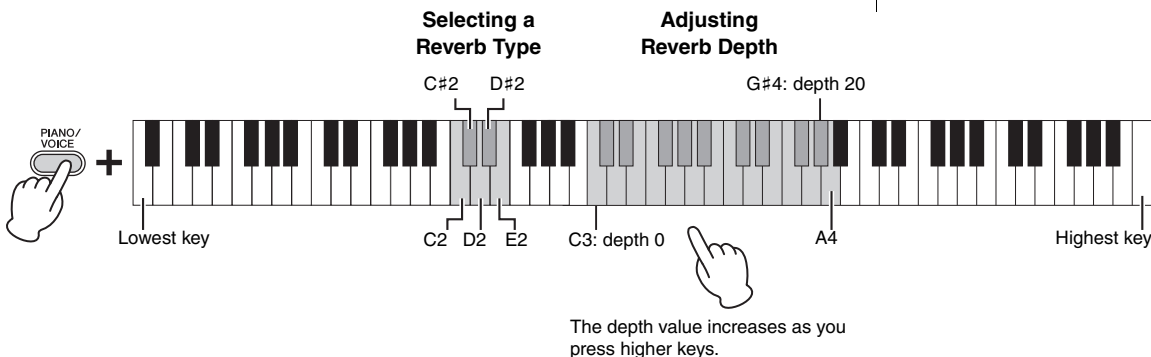
Adding Variations to the Sound (Reverb)

This instrument features several Reverb Types that add extra depth and expression to the sound to create a realistic acoustic ambience. The appropriate Reverb Type and Depth are called up automatically when you select each of the Voices and Songs. This is why the Reverb Type need not be selected; however, you can change it if desired.

To select a Reverb Type:

While holding down [PIANO/VOICE], press one of the C2 – E2 keys.

Reverb in Dual Mode
An optimum reverb type for the combination of Voices is assigned automatically.



Reverb Type List

Key	Reverb Type	Description
C2	Recital Hall	Simulates the clear reverb sound you would hear in a medium-sized concert hall for piano recitals.
C#2	Concert Hall	Simulates the gorgeous reverb sound you would hear in a large concert hall for orchestral performances.
D2	Chamber	Suitable for playing chamber music; simulates the intimate reverb sound you would hear in a spacious room, such as for classical music recitals.
D#2	Club	Simulates the vivid reverb sound you would hear in a live music venue or a jazz club.
E2	Off	No effect is applied.

To adjust Reverb Depth:

While holding down [PIANO/VOICE], press one of the C3 – G#4 keys. The Depth value increases as you press higher keys.

While holding down [PIANO/VOICE], press the A4 key to set the Reverb Depth to the most suitable value for the current Voice.

Reverb Depth range:
0 (no effect) – 20 (maximum depth)

Transposing the Pitch in Semitones

You can shift the pitch of the entire keyboard up or down in semitones in order to facilitate playing in difficult key signatures, or to easily match the pitch of the keyboard to the range of a singer or other instruments. For example, if “+5” is selected, playing key C produces pitch F, letting you play a song of F major as though it were in C major.

To transpose the pitch down:

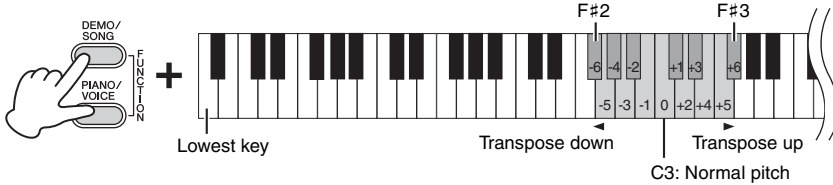
While holding down [DEMO/SONG] and [PIANO/VOICE], press a key between F#2 (-6) and B2 (-1).

To transpose the pitch up:

While holding down [DEMO/SONG] and [PIANO/VOICE], press a key between C#3 (+1) and F#3 (+6).

To restore the normal pitch:

While holding down [DEMO/SONG] and [PIANO/VOICE], press the C3 key.

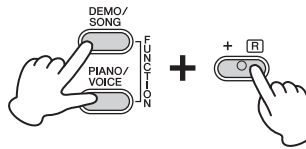


Fine-tuning the Pitch

You can fine-tune the pitch of the entire instrument in about 0.2 Hz steps. This lets you match the keyboard pitch finely to that of other instruments or CD music.

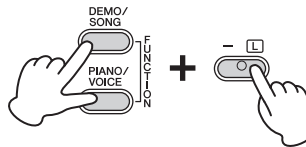
To tune up (in about 0.2 Hz steps):

Press and hold down the [DEMO/SONG] and [PIANO/VOICE] simultaneously, and press [+R].



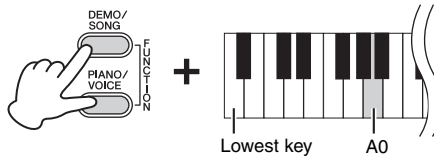
To tune down (in about 0.2 Hz steps):

Press and hold down the [DEMO/SONG] and [PIANO/VOICE] simultaneously, and press [-L].



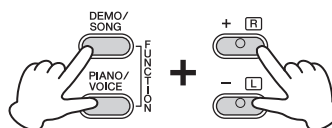
To set the pitch to 442.0 Hz:

Press and hold down the [DEMO/SONG] and [PIANO/VOICE] simultaneously, and press the A0 key.



To restore default pitch:

Press and hold down the [DEMO/SONG] and [PIANO/VOICE] simultaneously, and press [+R] and [-L] simultaneously.



Hz (Hertz)

This unit of measurement refers to the frequency of a sound and represents the number of times a sound wave vibrates in a second.

Setting range:

414.8 – 466.8 Hz

Default setting:

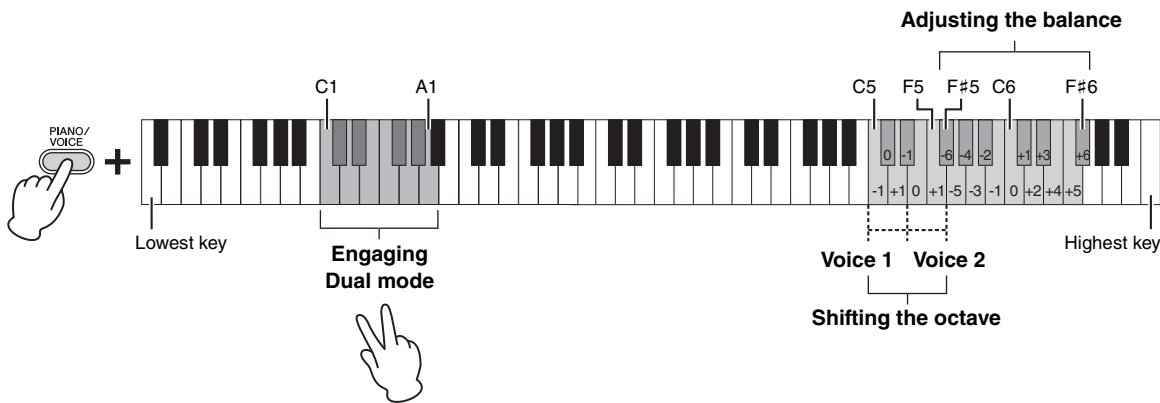
A3 = 440.0 Hz

Layering Two Voices (Dual mode)

You can layer two Voices and play them simultaneously to create a more richly textured sound.

1. Engage the Dual mode.

While holding down [PIANO/VOICE], simultaneously hold down two keys between C1 and A1 to select the two desired Voices. For information on which Voices are assigned to the keys, refer to “Voice List” (page 18).



The Voice assigned to the lower key will be designated as Voice 1, and the Voice assigned to the higher key will be designated as Voice 2. You cannot assign the same Voice to both Voice 1 and Voice 2 simultaneously in Dual mode.

To shift the Octave for each Voice:

While holding down [PIANO/VOICE], press one of the C5 – F5 keys.

To adjust the Balance between two Voices:

While holding down [PIANO/VOICE], press one of the F#5 – F#6 keys. A setting of “0” (C6) produces an equal balance between two Voices. Settings below “0” increase the volume of Voice 2, while settings above “0” increase the volume of Voice 1, in relation to the other.

NOTE

The Dual and Duo modes (page 23) cannot be engaged at the same time.

Setting range:

-1 – 0 – +1

Setting range:

-6 – 0 – +6

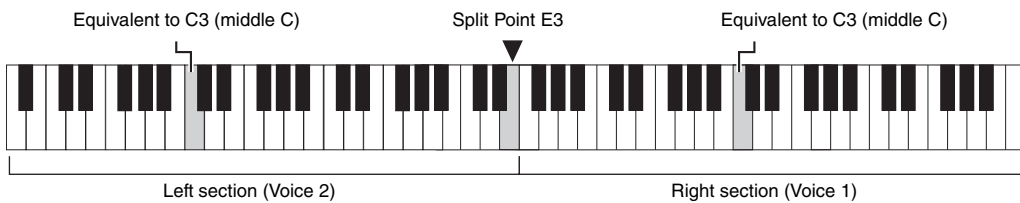
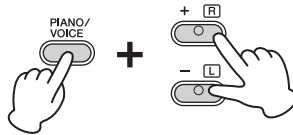
2. To exit from Dual mode, press [PIANO/VOICE].

Playing Duo

This function allows two different players to play the instrument, one on the left and the other on the right, over the same octave range.

1. While holding down [PIANO/VOICE], press [+R] and [-L] simultaneously to engage Duo.

The keyboard is divided into two sections, with the E3 key as the Split Point.



NOTE

- Different Voices cannot be assigned to the Right Voice and Left Voice.
- The Split Point cannot be changed from E3.

2. One person can play the left section of the keyboard while the other plays the right.

To shift the Octave for each section:

Same operation as in Dual (page 22).

In Duo, the left section is assigned to Voice 2, while the right section is assigned to Voice 1.

To adjust the volume balance between two keyboard sections:

Same operation as in Dual (page 22).

Settings below “0” increase the volume of Left Voice (Voice 2), while settings above “0” increase the volume of Right Voice, in relation to the other.

Pedal function in Duo

Damper Pedal: Applies Sustain to the right section.

Sostenuto Pedal: Applies Sustain to both sections.

Soft Pedal: Applies Sustain to the left section.

Setting range:

-2 – 0 – +2

Setting range:

-6 – 0 – +6

NOTE

Sounds played in the left section are played from the left speaker, and sounds played in the right section are played from the right speaker.

3. To exit from Duo, simultaneously hold down [PIANO/VOICE] and press [+R] and [-L].

NOTE

If the keyboard is in Dual, engaging Duo will exit from Dual. The Voice 1 is used as the Voice of the entire keyboard.

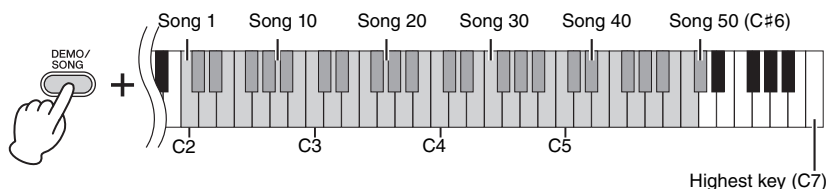
Song Playback and Practice

Listening to 50 Preset Songs

In addition to the Demo Songs, Preset Songs are provided for your listening pleasure.

1. Find the number of the Song that you want to play back from the included “50 Greats for the Piano.”
2. While holding down [DEMO/SONG], press one of the C2 – C#6 keys to start playback.

The number of each piano Preset Song is assigned to the C2 – C#6 keys.



The [PLAY], [+R] and [-L] lamps light, and playback continues the sequence: starting with the selected song, the playback of the Preset Songs will continue. After the last Preset Song, the sequence then returns to the first Preset Song and repeats until you stop it.

To change the Preset Song during playback:

Press [+R] or [-L] to change to the next or previous Preset Song.

To change the tempo during playback:

Press [METRONOME] to start the Metronome, then press [+R] or [-L] to increase or decrease the Tempo value by 1. Other instructions are the same as those of the Metronome Tempo (page 17).

To play back from the beginning of the Song at the desired tempo for practice:

During playback, press [+R] and [-L] simultaneously to jump to the playback position at the beginning of the Song then continue playback at the last specified tempo.

3. Press [DEMO/SONG] or [PLAY] to stop playback.

The [PLAY], [+R] and [-L] lamps turn off.

NOTE

You can play the keyboard along with the preset Song. You can also change the Voice playing on the keyboard.

NOTE

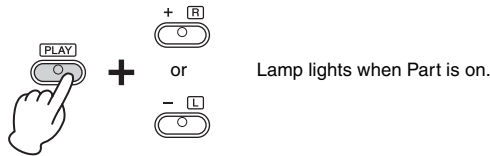
You can import additional Songs by loading SMF files from a computer. For details, refer to the “Computer-related Operations” on the website (page 9).

Practicing a One-Hand Part

All the Songs except for the Demo (page 19) let you turn on or off the left-hand and right-hand Parts individually. By turning off [+R], for example, you can practice the right-hand Part while the left-hand Part is playing back, and vice versa.

1. **Select a Preset Song (page 24) or the User Song (page 26).**
2. **While holding down [PLAY], press [+R] or [-L] to turn the Part on/off.**

Pressing the same button repeatedly while holding down [PLAY] toggles playback on and off. The lamp of the button lights to indicate that the corresponding Part is on.



NOTE

Selecting another Song will reset the on/off status.

3. **Practice the Part which is turned off.**

To change the Tempo:

If desired, you can change the tempo for your practice convenience. For details, refer to page 17.

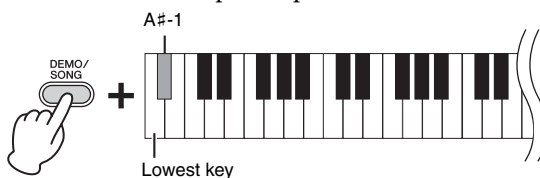
4. **Press [PLAY] to stop playback.**

Playing from the Top of the Bar Including a Rest or Blank

This Quick Play feature enables you to specify whether a Song should play back immediately from the very first note, or play back any silence or rests that exist before the first note.

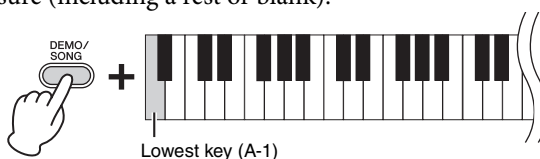
To turn on Quick Play:

Hold down [DEMO/SONG] and press the A#-1 key to enable immediate playback from the first note or first pedal operation.



To turn off Quick Play:

Hold down [DEMO/SONG] and press the lowest key (A-1) to play from the top of the first measure (including a rest or blank).



Default setting:

On

Recording Your Performance

This instrument lets you record your keyboard performance as the User Song. Up to two Parts (left-hand and right-hand) can be recorded separately.

Recording Your Performance

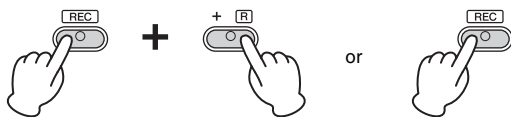
1. Select the desired Voice and other parameters, such as beat, for recording.

For instructions on selecting a Voice, refer to page 18. If necessary, set other parameters, such as beat and effects, in this step.

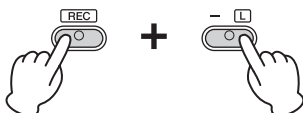
2. While holding down [REC], press [+R] or [-L] to engage Record Ready mode for the Part you want to record.

If you do not intend to record right- and left-hand Parts separately, record the entire performance to either Part.

Recording the right-hand Part ([+R])



Recording the left-hand Part ([-L])



After a while, the [REC] lamp and the selected Part lamp will flash at the current tempo.

To exit from Record Ready mode:

Simply press [REC].

If data has already been recorded to the other Part:

The data in this Part will be played back while recording.

3. Play the keyboard or press [PLAY] to start recording.

The [REC] lamp lights up while the Recording Part lamp flashes at the current tempo.

4. Press either [REC] or [PLAY] to stop recording.

The [REC], [PLAY], [+R] and [-L] lamps flash, indicating that the recorded data is being stored. After the Save operation is completed, the lamps will turn off, indicating that the Record operation has been completed.

5. If desired, record the other Part by repeating Steps 1 – 4.

6. To hear the recorded Song, press [PLAY] to start playback.

Press [PLAY] again to stop playback.



About audio files

The Recording function of this instrument will record your keyboard performance as MIDI data. Note that audio recording is not available.

Recording Capacity

This instrument can record up to 100 KB (approximately 11,000 notes).

NOTE

You can use the Metronome while recording; however, the Metronome sound will not be recorded.

NOTICE

If a Part contains data, the Part lamp lights. Note that the Recording operation will replace already-recorded data with the new data.

NOTE

If the keyboard is in the Duo mode (page 23), the data will be recorded to each Part. The Part for recording cannot be specified.

NOTICE

Never turn off the power while the recorded data is being stored (while the lamps are flashing). Otherwise, all recorded data will be lost.

NOTE

The recorded Song data can be saved to a computer as a Standard MIDI file (SMF). For details, refer to the "Computer-related Operations" on the website (page 9).

Changing the Initial Settings of the Recorded Song

The settings of the following parameters can be changed after the Record operation is completed.

- For individual Parts: Voice, Volume balance (Dual/Duo), Reverb Depth, Damper Resonance
- For the entire Song: Tempo, Reverb Type

- 1. Make the settings of the above parameters.**
- 2. While holding down [REC], press the desired Part button to engage Record Ready mode.**

After a while, the [REC] lamp and the selected Part lamp will flash at the current tempo.

In this status, do not press [PLAY] again or any key. Otherwise, the originally recorded performance data will be deleted.

- 3. Press [REC] and [PLAY] to exit from Record Ready mode.**

The [REC], [PLAY], [+R] and [-L] lamps flash. After the Save operation is completed, the lamps will turn off, indicating that the operation has been completed.

Confirm the setting by playing the Song.

Deleting Recorded Data

To delete the entire Song:

- 1. While holding down [REC], press [DEMO/SONG].**

The [+R] and [-L] lamps flash.

To exit from this status, press [-L].

- 2. Press [+R] to delete the data of the entire Song.**

The [REC], [PLAY], [+R] and [-L] lamps flash.

After the operation is completed, all lamps turn off.

To delete a specific Part:

- 1. While holding down [REC], press [+R] or [-L] (depending on the Part you want to delete) to engage Record Ready mode.**

The [REC] and the selected Part ([+R] or [-L]) lamps flash.

- 2. Press [PLAY] to start recording without playing the keyboard.**

The selected Part ([+R] or [-L]) lamp flashes.

- 3. Press [REC] or [PLAY] to stop recording.**

All data recorded for the selected Part will be deleted, and the lamp turns off.

Backing up Data and Initializing the Settings

Data Maintained When Power is Turned Off

The following settings and data are maintained even if you turn the power off.

- Metronome Volume
- Metronome Beat
- Touch Sensitivity
- Tuning
- Intelligent Acoustic Control Depth
- Intelligent Acoustic Control On/Off
- Stereophonic Optimizer On/Off
- Operation Confirmation Sounds On/Off
- Auto Power Off Enable/Disable
- User Song data
- Song data (SMF Files) loaded from a computer

Saving the User Song data to a computer

Among the data listed above, only the User Song data (USERSONG00.MID) can be transferred to a computer and saved as an SMF file. For details, refer to the “Computer-related Operations” on the website (page 9).

NOTICE

Saved data may be lost due to malfunction or incorrect operation. Save important data to an external device such as a computer.

Transferring SMF Files Between a Computer and this Instrument

With Musicsoft Downloader (available for free downloading), up to 10 SMF files can be transferred from the computer to the internal memory of this instrument, and vice versa. For details, refer to the “Computer-related Operations” on the website (page 9).

NOTE

Certain MIDI files in SMF format 0 or 1 may contain data that is not supported by your digital piano. In such a case, the files may not play as originally intended.

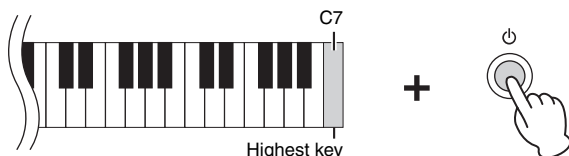
Types of file that can be exchanged with a computer

Files with a .mid extension (SMF format 0 or 1)

Initializing the Settings

With this operation, all data (with the exception of the Songs) will be reset to the factory default settings.

To do this, simultaneously hold down the C7 (the highest) key and turn on the power.



NOTICE

Never turn off the power while the Initialize operation is being executed (that is, while the [REC], [PLAY], [+R] and [-L] lamps are flashing).

NOTE

If this instrument somehow becomes disabled or malfunctions, turn off the power then execute Initialization.

Troubleshooting

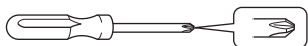
Problem	Possible Cause and Solution
Power suddenly and unexpectedly turns off.	This is normal and the Auto Power Off function may have been activated (page 13). If desired, disable the Auto Power Off function.
The instrument does not turn on.	The plugs are not properly connected. Make sure that the DC plug is securely inserted into the DC IN jack on the instrument, and that the AC plug is securely inserted to the AC outlet (page 12).
A click or pop is heard when the power is turned on or off.	This is normal when electrical current is being applied to the instrument.
Noise is heard from the speakers or headphones.	The noise may be due to interference caused by the use of a mobile phone in close proximity to this instrument. Turn off the mobile phone, or move it further away from this instrument.
Noise is heard from the instrument's speakers or headphones when using the instrument with the application on iPhone/iPad/iPod touch.	When you use the instrument along with the application on your iPhone/iPad/iPod touch, we recommend that you set "Airplane Mode" to "ON" on your iPhone/iPad/iPod touch in order to avoid noise caused by communication.
The overall volume is low, or no sound is heard.	The Master Volume is set too low. Set it to an appropriate level using the [MASTER VOLUME] knob (page 14).
	Make sure a pair of headphones or conversion adaptor is not connected to the [PHONES] jack (page 13).
	Make sure that Local Control is On. For details, refer to the "MIDI Reference" (page 9).
Pedals do not function.	The pedal cord may not be securely connected to the [TO PEDAL] jack. Be sure to insert the pedal cord all the way until the metal part of the cord plug disappears from view (page 31).
The damper pedal does not function as expected.	The damper pedal was pressed when the power was turned on. This is not a malfunction; release the pedal and press it again to reset the function.

Keyboard Stand Assembly

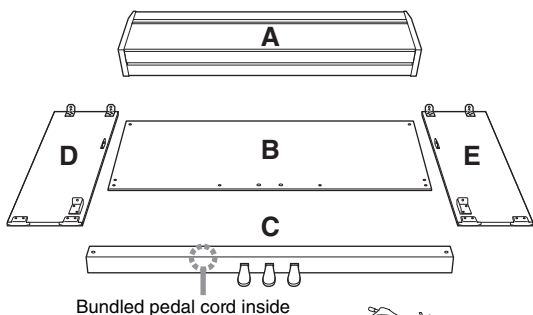
⚠ CAUTION

- Be careful not to confuse parts, and be sure to install all parts in the correct orientation. Please assemble the unit in accordance with the sequence given below.
- Assembly should be carried out by at least two persons.
- Assemble the unit on a hard and flat floor with ample space.
- Be sure to use the correct screw size, as indicated below. Use of incorrect screws can cause damage.
- Be sure to tighten all screws upon completing assembly of the unit.
- To disassemble, reverse the assembly sequence given below.

Have a Phillips-head (+) screwdriver of the appropriate size ready.



Remove all parts from the package and make sure you have all of the items.



Bundled pedal cord inside

Power cord x 1

AC adaptor x 1



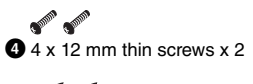
❶ 6 x 25 mm long screws x 4



❷ 6 x 20 mm long screws x 2



❸ 6 x 16 mm short screws x 2



❹ 4 x 12 mm thin screws x 2



❺ 4 x 20 mm tapping screws x 2



❻ Caps x 2



❼ Cord holders x 2



❽ Anti-fall brackets x 2

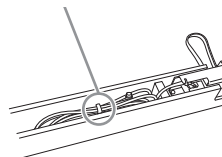
* The two anti-fall brackets are identical. (Either one can be used for left or right.)

* The adaptor may not be included, or may look different from the illustration above, depending on your particular area. Please check with your Yamaha dealer.

1. Attach (finger-tighten) C to D and E.

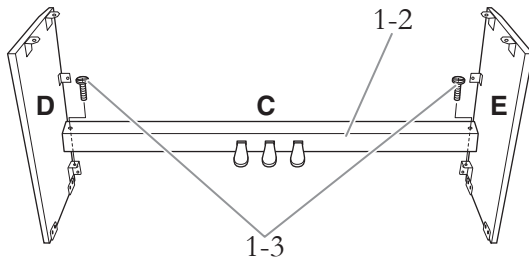
1-1 Untie and straighten out the bundled pedal cord.

Don't discard the vinyl tie. You will need it later in step 6.



1-2 Align D and E with each end of C.

1-3 Attach D and E to C by finger-tightening the long screws ❷ (6 x 20 mm).



2. Attach B.

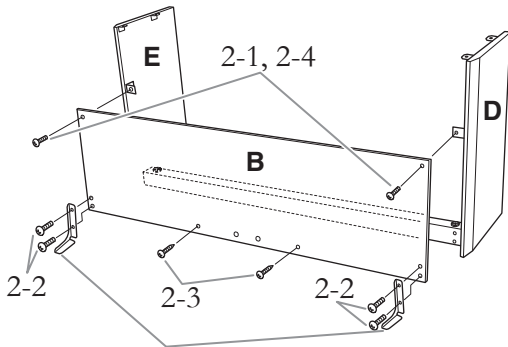
Depending on the model of digital piano you purchased, the surface color of one side of B may be different from the other side. In this case, position B so that the side of the surface color similar to D and E faces the player.

2-1 Attach the top of B to D and E by finger-tightening the thin screws ❹ (4 x 12 mm).

2-2 While pressing on the lower part of D and E from the outside, attach the anti-fall brackets ❽ and then secure the bottom ends of B using four long screws ❶ (6 x 25 mm).

2-3 Insert the other two tapping screws ❺ (4 x 20 mm) into the other two screw holes to secure B.

2-4 Securely tighten the screws on the top of B that were attached in Step 2-1.

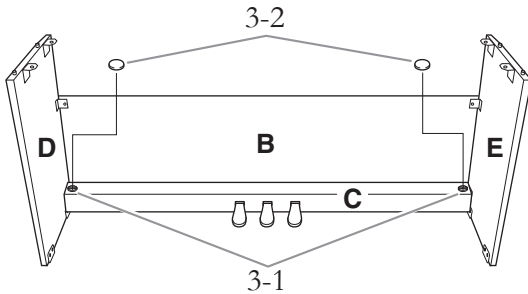


Secure the anti-fall brackets (2-2) using the screws.

3. Secure C.

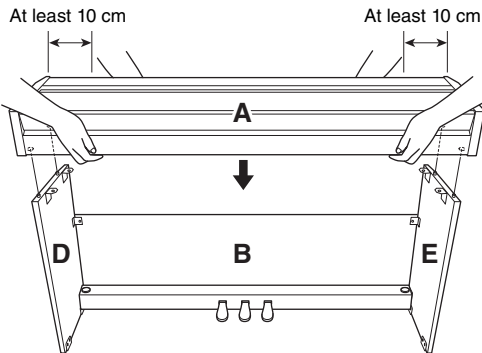
3-1 Securely tighten the screws on C that were attached in Step 1-3.

3-2 Attach the caps (3-2) to the head of the screws.



4. Mount A.

Be sure to place your hands at least 10 cm from either end of A when positioning it.



Align the dowels on D and E with the corresponding holes on the bottom of A.

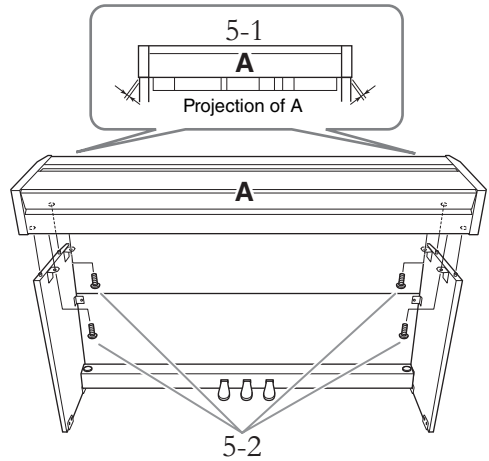
⚠ CAUTION

- Be careful not to pinch your fingers or drop the unit.
- Do not hold the keyboard in any position other than the position shown in the illustration.

5. Secure A.

5-1 Adjust the position of A so that the left and right ends of A will project beyond D and E equally when seen from the front.

5-2 Secure A by tightening the short screws (5-2) from the bottom.

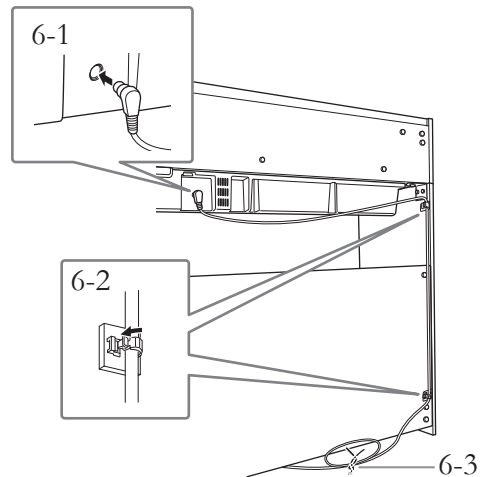


6. Connect the pedal cord

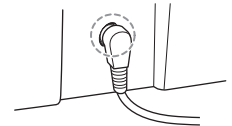
6-1 Insert the pedal cord plug to the [TO PEDAL] jack from the rear.

6-2 Attach the cord holders (6-2) to the rear panel as shown, then clip the cord into the holders.

6-3 Use a vinyl tie (Step 1-1) to take up any slack in the pedal cord.

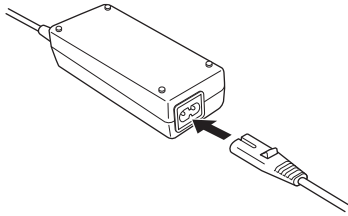


Insert the pedal cord securely until the metal part of the cord plug disappears from view. Otherwise, the pedal may not function properly.

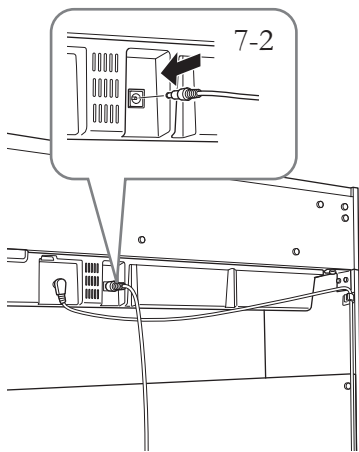


7. Connect the AC adaptor.

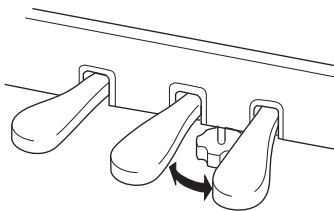
7-1 Connect one end of the power cord to the adaptor.



7-2 Insert the AC adaptor plug into the DC IN jack from the rear.



8. Set the adjuster.



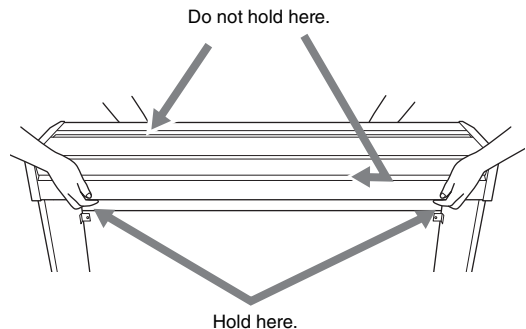
Rotate the adjuster until it comes in firm contact with the floor surface.

After completing the assembly, please check the following.

- Are there any parts left over?
→ Review the assembly procedure and correct any errors.
- Is this instrument clear of doors and other movable fixtures?
→ Move the instrument to an appropriate location.
- Does this instrument make a rattling noise when you shake it?
→ Tighten all screws.
- Does the pedal box rattle or give way when you step on the pedals?
→ Turn the adjuster so that it is set firmly against the floor.
- Are the pedal cord plug and the adaptor plug inserted securely into the sockets?
→ Check the connection.
- If the main unit creaks or is otherwise unsteady when you play on the keyboard, refer to the assembly diagrams and retighten all screws.

CAUTION

- When moving the instrument after assembly, always hold the bottom of the main unit.
- Do not hold the key cover or top portion. Improper handling can result in damage to the instrument or personal injury.



Transporting

If you move to another location, you can transport the instrument along with other belongings. You can move the unit as it is (assembled), or you can disassemble the unit down to the condition it was in when you first took it out of the box. Transport the keyboard horizontally. Do not lean it up against a wall or stand it up on its side. Do not subject the instrument to excessive vibration or shock. When transporting the assembled instrument, make sure all screws are properly tightened and have not been loosened by moving the instrument.

Specifications

Items			YDP-S52
Size/Weight	Width		1353 mm [53-1/4"]
	Height (Key cover open)		792 mm [31-3/16"] (976 mm [38-27/64"])
	Depth (Key cover open)		309 mm [12-11/64"] (317 mm [12-15/32"]) * With anti-fall brackets attached, the depth is 404 mm [15-57/64"].
	Weight		37.8 kg [83 lbs., 5 oz.]
Control Interface	Keyboard	Number of Keys	88
		Type	GH (Graded Hammer) keyboard with Synthetic ivory keytops
		Touch Response	Hard/Medium/Soft/Fixed
	Pedal	Number of Pedals	3
		Half Pedal	Yes (Damper)
		Functions	Damper, Sostenuto, Soft
Panel Language		English	
Cabinet	Key Cover Style		Folding
	Music Rest		Yes
Voices	Tone Generation	Piano Sound	Pure CF Sound Engine
	Piano Effect	Damper Resonance	Yes
	Polyphony	Number of Polyphony (Max.)	192
	Preset	Number of Voices	10
Effects	Types	Reverb	4 types
		Intelligent Acoustic Control (IAC)	Yes
		Stereophonic Optimizer	Yes
	Functions	Dual	Yes
		Duo	Yes
Recording/Playback (MIDI data only; audio not supported)	Preset	Number of Preset Songs	10 Demo Songs, 50 Piano Preset Songs
	Recording	Number of Songs	1
		Number of Tracks	2
		Data Capacity	100 KB/Song (Approx. 11,000 notes)
	Compatible Data Format	Recording	SMF (Format 0)
Playback		SMF (Format 0 & 1)	
Functions	Overall Controls	Metronome	Yes
		Tempo	5 – 280
		Transpose	-6 – 0 – +6
		Tuning	414.8 – 440.0 – 466.8 Hz
Storage and Connectivity	Storage	Internal Memory	Total maximum size approx. 900 KB (User song: One song approx. 100 KB, Loading song data from a computer: Up to 10 Songs)
	Connectivity	Headphones	Standard stereo phone jack (x 2)
		USB TO HOST	Yes
Sound System	Amplifiers		20 W x 2
	Speakers		Oval (12 cm x 6 cm) x 2
	Acoustic Optimizer		Yes
Power Supply	Adaptor		PA-300C or an equivalent recommended by Yamaha
	Power Consumption		14 W (When using PA-300C AC adaptor)
	Auto Power Off		Yes
Included Accessories			<ul style="list-style-type: none"> • Owner's Manual • Quick Operation Guide • "50 Greats for the Piano" (Music Book) • AC adaptor: PA-300C or an equivalent recommended by Yamaha* • Power cord* • Warranty* • Online Member Product Registration <p>* May not be included depending on your particular area. Please check with your Yamaha dealer.</p>
Separately Sold Accessories (May not be available depending on your locale.)			<ul style="list-style-type: none"> • Bench: BC-108 • Headphones: HPE-150 • AC adaptor: PA-300C or an equivalent recommended by Yamaha • USB MIDI Interface for iPhone/iPod touch/iPad: i-UX1

* The contents of this manual apply to the latest specifications as of the printing date. Since Yamaha makes continuous improvements to the product, this manual may not apply to the specifications of your particular product. To obtain the latest manual, access the Yamaha website then download the manual file. Since specifications, equipment or separately sold accessories may not be the same in every locale, please check with your Yamaha dealer.

Index

Numerics

50 Preset Songs24

A

AC adaptor9

Accessories9

Auto Power Off13

B

Backing up Data28

Beat17

C

Computer-related Operations9

D

Damper Pedal15

Damper Resonance15

Delete27

Demo Song List19

Demo Songs19

Digital Piano Controller9

Dual mode22

Duo23

H

Half-pedal15

Headphones13

Hz (Hertz)21

I

Initializing28

Intelligent Acoustic Control (IAC)14

iPhone/iPad Connection Manual9

K

Key Cover11

L

Left-hand Part25

M

Manuals9

Metronome17

MIDI Basics9

MIDI Reference9

Music Rest11

O

Octave22

Online Manuals (PDF)9

Operation Confirmation Sounds16

P

Panel Controls and Terminals10

Pedals15

Pitch21

Playback19, 24, 26

Power12

Power indicator12

Practice25

Preset Songs24

Q

Quick Operation Guide9

Quick Play25

R

Recording26

Reverb20

Reverb Depth20

Reverb Type20

Reverb Type List20

Right-hand Part25

S

SMF Files28

Soft Pedal15

Sostenuto Pedal15

Stereophonic Optimizer13

T

Tempo17

Touch Sensitivity16

Transpose21

Tuning21

U

USB TO HOST10

User Song26

V

Voice18

Voice List18

Volume14, 17

MEMO

Information for Users on Collection and Disposal of Old Equipment



This symbol on the products, packaging, and/or accompanying documents means that used electrical and electronic products should not be mixed with general household waste. For proper treatment, recovery and recycling of old products, please take them to applicable collection points, in accordance with your national legislation and the Directives 2002/96/EC.

By disposing of these products correctly, you will help to save valuable resources and prevent any potential negative effects on human health and the environment which could otherwise arise from inappropriate waste handling.

For more information about collection and recycling of old products, please contact your local municipality, your waste disposal service or the point of sale where you purchased the items.

[For business users in the European Union]

If you wish to discard electrical and electronic equipment, please contact your dealer or supplier for further information.

[Information on Disposal in other Countries outside the European Union]

This symbol is only valid in the European Union. If you wish to discard these items, please contact your local authorities or dealer and ask for the correct method of disposal.

(weee_eu_en_01)

Information concernant la Collecte et le Traitement des déchets d'équipements électriques et électroniques.



Le symbole sur les produits, l'emballage et/ou les documents joints signifie que les produits électriques ou électroniques usagés ne doivent pas être mélangés avec les déchets domestiques habituels.

Pour un traitement, une récupération et un recyclage appropriés des déchets d'équipements électriques et électroniques, veuillez les déposer aux points de collecte prévus à cet effet, conformément à la réglementation nationale et aux Directives 2002/96/EC.

En vous débarrassant correctement des déchets d'équipements électriques et électroniques, vous contribuerez à la sauvegarde de précieuses ressources et à la prévention de potentiels effets négatifs sur la santé humaine qui pourraient advenir lors d'un traitement inapproprié des déchets.

Pour plus d'informations à propos de la collecte et du recyclage des déchets d'équipements électriques et électroniques, veuillez contacter votre municipalité, votre service de traitement des déchets ou le point de vente où vous avez acheté les produits.

[Pour les professionnels dans l'Union Européenne]

Si vous souhaitez vous débarrasser des déchets d'équipements électriques et électroniques veuillez contacter votre vendeur ou fournisseur pour plus d'informations.

[Information sur le traitement dans d'autres pays en dehors de l'Union Européenne]

Ce symbole est seulement valable dans l'Union Européenne. Si vous souhaitez vous débarrasser de déchets d'équipements électriques et électroniques, veuillez contacter les autorités locales ou votre fournisseur et demander la méthode de traitement appropriée.

(weee_eu_fr_01)

Información para Usuarios sobre Recolección y Disposición de Equipamiento Viejo



Este símbolo en los productos, embalaje, y/o documentación que se acompañe significa que los productos electrónicos y eléctricos usados no deben ser mezclados con desechos hogareños corrientes.

Para el tratamiento, recuperación y reciclado apropiado de los productos viejos, por favor llévelos a puntos de recolección aplicables, de acuerdo a su legislación nacional y las directivas 2002/96/EC.

Al disponer de estos productos correctamente, ayudará a ahorrar recursos valiosos y a prevenir cualquier potencial efecto negativo sobre la salud humana y el medio ambiente, el cual podría surgir de un inapropiado manejo de los desechos.

Para mayor información sobre recolección y reciclado de productos viejos, por favor contacte a su municipio local, su servicio de gestión de residuos o el punto de venta en el cual usted adquirió los artículos.

[Para usuarios de negocios en la Unión Europea]

Si usted desea deshacerse de equipamiento eléctrico y electrónico, por favor contacte a su vendedor o proveedor para mayor información.

[Información sobre la Disposición en otros países fuera de la Unión Europea]

Este símbolo sólo es válido en la Unión Europea. Si desea deshacerse de estos artículos, por favor contacte a sus autoridades locales y pregunte por el método correcto de disposición.

(weee_eu_es_01)

OBSERVERA!

Apparaten kopplas inte ur växelströmskällan (nätet) så länge som den är ansluten till vägguttaget, även om själva apparaten har stängts av.

ADVARSEL: Netspændingen til dette apparat er IKKE afbrudt, så længe netledningen sidder i en stikkontakt, som er tændt — også selvom der er slukket på apparatets afbryder.

VAROITUS: Laitteen toisiopiiriin kytketty käyttökytkin ei irroita koko laitetta verkosta.

(standby)

**IMPORTANT NOTICE
FOR THE UNITED KINGDOM
Connecting the Plug and Cord**

IMPORTANT. The wires in this mains lead are coloured in accordance with the following code:

BLUE : NEUTRAL
BROWN : LIVE

As the colours of the wires in the mains lead of this apparatus may not correspond with the coloured markings identifying the terminals in your plug proceed as follows:

The wire which is coloured BLUE must be connected to the terminal which is marked with the letter N or coloured BLACK.

The wire which is coloured BROWN must be connected to the terminal which is marked with the letter L or coloured RED.

Making sure that neither core is connected to the earth terminal of the three pin plug.

(2 wires)

Important Notice: Guarantee Information for customers in European Economic Area (EEA) and Switzerland

<p>Important Notice: Guarantee Information for customers in EEA* and Switzerland</p> <p>For detailed guarantee information about this Yamaha product, and Pan-EEA* and Switzerland warranty service, please either visit the website address below (Printable file is available at our website) or contact the Yamaha representative office for your country. * EEA: European Economic Area</p>	English
<p>Wichtiger Hinweis: Garantie-Information für Kunden in der EWR* und der Schweiz</p> <p>Für nähere Garantie-Information über dieses Produkt von Yamaha, sowie über den Pan-EWR*- und Schweizer Garantieservice, besuchen Sie bitte entweder die folgend angegebene Internetadresse (eine druckfähige Version befindet sich auch auf unserer Webseite), oder wenden Sie sich an den für Ihr Land zuständigen Yamaha-Vertrieb. *EWR: Europäischer Wirtschaftsraum</p>	Deutsch
<p>Remarque importante: informations de garantie pour les clients de l'EEE et la Suisse</p> <p>Pour des informations plus détaillées sur la garantie de ce produit Yamaha et sur le service de garantie applicable dans l'ensemble de l'EEE ainsi qu'en Suisse, consultez notre site Web à l'adresse ci-dessous (le fichier imprimable est disponible sur notre site Web) ou contactez directement Yamaha dans votre pays de résidence. * EEE : Espace Economique Européen</p>	Français
<p>Belangrijke mededeling: Garantie-informatie voor klanten in de EER* en Zwitserland</p> <p>Voor gedetailleerde garantie-informatie over dit Yamaha-product en de garantieservice in heel de EER* en Zwitserland, gaat u naar de onderstaande website (u vindt een afdruikbaar bestand op onze website) of neemt u contact op met de vertegenwoordiging van Yamaha in uw land. * EER: Europese Economische Ruimte</p>	Nederlands
<p>Aviso importante: información sobre la garantía para los clientes del EEE* y Suiza</p> <p>Para una información detallada sobre este producto Yamaha y sobre el soporte de garantía en la zona EEE* y Suiza, visite la dirección web que se incluye más abajo (la versión del archivo para imprimir esta disponible en nuestro sitio web) o póngase en contacto con el representante de Yamaha en su país. * EEE: Espacio Económico Europeo</p>	Español
<p>Avviso importante: informazioni sulla garanzia per i clienti residenti nell'EEA* e in Svizzera</p> <p>Per informazioni dettagliate sulla garanzia relativa a questo prodotto Yamaha e l'assistenza in garanzia nei paesi EEA* e in Svizzera, potete consultare il sito Web all'indirizzo riportato di seguito (è disponibile il file in formato stampabile) oppure contattare l'ufficio di rappresentanza locale della Yamaha. * EEA: Area Economica Europea</p>	Italiano
<p>Aviso importante: informações sobre as garantias para clientes da AEE* e da Suíça</p> <p>Para obter uma informação pormenorizada sobre este produto da Yamaha e sobre o serviço de garantia na AEE* e na Suíça, visite o site a seguir (o arquivo para impressão está disponível no nosso site) ou entre em contato com o escritório de representação da Yamaha no seu país. * AEE: Área Económica Europeia</p>	Português
<p>Σημαντική σημείωση: Πληροφορίες εγγύησης για τους πελάτες στον ΕΟΧ* και Ελλάδα</p> <p>Για λεπτομερείς πληροφορίες εγγύησης σχετικά με το προϊόν προϊόν της Yamaha και την κάλυψη εγγύησης σε όλες τις χώρες του ΕΟΧ και την Ελλάδα, επισκεφτείτε την παρακάτω ιστοσελίδα (Εκτυπώσιμη μορφή είναι διαθέσιμη στην ιστοσελίδα μας) ή απευθυνθείτε στην αντιπροσωπεία της Yamaha στη χώρα σας. * ΕΟΧ: Ευρωπαϊκός Οικονομικός Χώρος</p>	Ελληνικά
<p>Viktig: Garantiformasjon for kunder i EES-området* och Schweiz</p> <p>För detaljerad information om denna Yamaha-produkt samt garantitjänst i hela EES-området* och Schweiz kan du antingen besöka nedanstående webbadress (en utskriftsvänlig fil finns på webbplatsen) eller kontakta Yamahas officiella representant i ditt land. * EES: Europeiska Ekonomiska Samarbetsområdet</p>	Svenska
<p>Viktig merknad: Garantiformasjon for kunder i EØS* og Sveits</p> <p>Detaljert garantiformasjon om dette Yamaha-produktet og garantitjeneste for hele EØS-området* og Sveits kan fås enten ved å besøke nettstedene nedenfor (utskriftsversjon finnes på våre nettsider) eller kontakte kontaktpunktet i landet der du bor. *EØS: Det europeiske økonomiske samarbeidsområdet</p>	Norsk
<p>Vigtig oplysning: Garantiplysninger til kunder i EØO* og Schweiz</p> <p>De kan finde detaljerede garantiplysninger om dette Yamaha-produkt og den fælles garantitjenesteordning for EØO* (og Schweiz) ved at besøge det websted, der er angivet nedenfor (der findes en fil, som kan udskrives, på vores websted), eller ved at kontakte Yamahas nationale repræsentationskontor i det land, hvor De bor. * EØO: Det Europæiske Økonomiske Område</p>	Dansk
<p>Tärkeä ilmoitus: Takuutiedot Euroopan talousalueen (ETA)* ja Sveitsin asiakkaille</p> <p>Tämän Yamaha-tuotteen sekä ETA-alueen ja Sveitsin takuuta koskevat yksityiskohtaiset tiedot saatte alla olevasta nettiosoitteesta. (Tulostettava tiedosto saatavissa sivustollamme.) Voitte myös ottaa yhteyttä paikalliseen Yamaha-edustajaan. *ETA: Euroopan talousalue</p>	Suomi
<p>Ważne: Warunki gwarancyjne obowiązujące w EOG* i Szwajcarii</p> <p>Aby dowiedzieć się więcej na temat warunków gwarancyjnych tego produktu firmy Yamaha i serwisu gwarancyjnego w całym EOG* i Szwajcarii, należy odwiedzić wskazaną poniżej stronę internetową (Plik gotowy do wydruku znajduje się na naszej stronie internetowej) lub skontaktować się z przedstawicielstwem firmy Yamaha w swoim kraju. * EOG — Europejski Obszar Gospodarczy</p>	Polski
<p>Důležité oznámení: Záruční informace pro zákazníky v EHS* a ve Švýcarsku</p> <p>Podrobné záruční informace o tomto produktu Yamaha a záručním servisu v celém EHS* a ve Švýcarsku naleznete na níže uvedené webové adrese (soubor k tisku je dostupný na našich webových stránkách) nebo se můžete obrátit na zastoupení firmy Yamaha ve své zemi. * EHS: Evropský hospodářský prostor</p>	Česky
<p>Fontos figyelmeztetés: Garancia-információk az EGT* területén és Svájcban élő vásárlók számára</p> <p>A jelen Yamaha termékre vonatkozó részletes garancia-információk, valamint az EGT*-re és Svájcra kiterjedő garanciális szolgáltatás tekintetében keresse fel webhelyünket az alábbi címen (a webhelyen nyomtatható fájl is talál), vagy pedig lépjen kapcsolatba az országában működő Yamaha képviseleti irodával. * EGT: Európai Gazdasági Térség</p>	Magyar
<p>Oluline märkus: Garantiteave Euroopa Majanduspiirkonna (EMP)* ja Šveitsi klientidele</p> <p>Lai saagemu detailizitu garantijas informāciju par šo Yamaha produktu, kā arī garantijas apkalpošanu EEE* un Šveicā, lūdzam apmeklētiet zemāk norādīto tīmekļa vietnes adresi (tīmekļa failu varat izdrukāt tieši šajā vietnē) vai sazināties ar jūsu valsts apkalpojošo Yamaha pārstāvniecību. * EMP: Euroopa Majanduspiirkond</p>	Eesti keel
<p>Svarīgs paziņojums: garantijas informācija klientiem EEZ* un Šveicē</p> <p>Lai saņemtu detalizētu garantijas informāciju par šo Yamaha produktu, kā arī garantijas apkalpošanu EEZ* un Šveicē, lūdzam apmeklētiet zemāk norādīto tīmekļa vietnes adresi (tīmekļa failu varat izdrukāt tieši šajā vietnē) vai sazināties ar jūsu valsts apkalpojošo Yamaha pārstāvniecību. * EEZ: Eiropas Ekonomikas zona</p>	Latviešu
<p>Dėmesio: informacija dėl garantijos pirkėjams EEE* ir Šveicarijoje</p> <p>Jei reikia išsamios informacijos apie šį „Yamaha“ produktą ir jo techninę priežiūrą visoje EEE* ir Šveicarijoje, apsilankykite mūsų svetainėje toliau nurodytu adresu (svetainėje yra spausdinlinas failas) arba kreipkitės į „Yamaha“ atstovybę savo šalyje. *EEE – Europos ekonominė erdvė</p>	Lietuvių kalba
<p>Dôležité upozornenie: Informácie o záruke pre zákazníkov v EHP* a Švajčiarsku</p> <p>Podrobné informácie o záruke týkajúce sa tohto produktu od spoločnosti Yamaha a garancionom servise v EHP* a Švajčiarsku nájdete na webovej stránke uvedenej nižšie (na našej webovej stránke je k dispozícii súbor na tlač) alebo sa obráťte na zástupcu spoločnosti Yamaha vo svojej krajine. * EHP: Európsky hospodársky priestor</p>	Slovenčina
<p>Pomembno obvestilo: Informacije o garanciji za kupce v EGP* in Švici</p> <p>Za podrobneje informacije o tem Yamahinih izdelku ter garancijskem servisu v celotnem EGP in Švici, obiščite spletno mesto, ki je navedeno spodaj (natiljiva datoteka je na voljo na našem spletnem mestu), ali se obrnite na Yamahinega predstavnika v svoji državi. * EGP: Evropski gospodarski prostor</p>	Slovenščina
<p>Важно съобщение: Информация за гаранцията за клиенти в ЕИП* и Швейцария</p> <p>За подробна информация за гаранцията за клиента на Yamaha и гаранционното обслужване в паневропейската зона на ЕИП* и Швейцария или посетете посочения по-долу уеб сайт (на нашия уеб сайт има файл за печат), или се свържете с представителния офис на Yamaha във вашата страна. * ЕИП: Европейско икономическо пространство</p>	Български език
<p>Notificare importantă: Informații despre garanție pentru clienții din SEE* și Elveția</p> <p>Pentru informații detaliate privind acest produs Yamaha și serviciul de garanție Pan-SEE* și Elveția, vizitați site-ul la adresa de mai jos (fișierul imprimabil este disponibil pe site-ul nostru) sau contactați biroul reprezentanței Yamaha din țara dumneavoastră. * SEE: Spațiul Economic European</p>	Limba română

<http://europe.yamaha.com/warranty/>

For details of products, please contact your nearest Yamaha representative or the authorized distributor listed below.

Para detalles sobre productos, contacte su tienda Yamaha más cercana o el distribuidor autorizado que se lista debajo.

Pour plus de détails sur les produits, veuillez-vous adresser à Yamaha ou au distributeur le plus proche de vous figurant dans la liste suivante.

NORTH AMERICA

CANADA

Yamaha Canada Music Ltd.
135 Milner Avenue, Toronto, Ontario,
M1S 3R1, Canada
Tel: 416-298-1311

U.S.A.

Yamaha Corporation of America
6600 Orangethorpe Avenue, Buena Park, CA 90620,
U.S.A.
Tel: 714-522-9011

CENTRAL & SOUTH AMERICA

MEXICO

Yamaha de México, S.A. de C.V.
Av. Insurgentes Sur 1647 "Prisma Insurgentes",
Col. San Jose Insurgentes, Del. Benito Juarez,
03900, Mexico, D.F.
Tel: 55-5804-0600

BRAZIL

Yamaha Musical do Brasil Ltda.
Rua Joaquim Floriano, 913 - 4º andar, Itaim Bibi,
CEP 04534-013 São Paulo, SP. BRAZIL
Tel: 011-3704-1377

ARGENTINA

**Yamaha Music Latin America, S.A.,
Sucursal Argentina**
Olga Cossetini 1553, Piso 4 Norte,
Madero Este-C1107CEK
Buenos Aires, Argentina
Tel: 54-11-4119-7000

VENEZUELA

**Yamaha Music Latin America, S.A.,
Sucursal Venezuela**
C.C. Manzanares Plaza P4
Ofic. 0401- Manzanares-Baruta
Caracas Venezuela
Tel: 58-212-943-1877

PANAMA AND OTHER LATIN AMERICAN COUNTRIES/ CARIBBEAN COUNTRIES

Yamaha Music Latin America, S.A.
Torre Banco General, Piso No.7, Marbella,
Calle 47 y Aquilino de la Guardia,
Ciudad de Panamá, República de Panamá
Tel: +507-269-5311

EUROPE

THE UNITED KINGDOM/IRELAND

Yamaha Music Europe GmbH (UK)
Sherbourne Drive, Tilbrook, Milton Keynes,
MK7 8BL, U.K.
Tel: 01908-366700

GERMANY

Yamaha Music Europe GmbH
Siemensstraße 22-34, 25462 Rellingen, Germany
Tel: 04101-3030

SWITZERLAND/LIECHTENSTEIN

**Yamaha Music Europe GmbH
Branch Switzerland in Zürich**
Seefeldstrasse 94, 8008 Zürich, Switzerland
Tel: 044-387-8080

AUSTRIA

Yamaha Music Europe GmbH Branch Austria
Schleiergasse 20, A-1100 Wien, Austria
Tel: 01-60203900

CZECH REPUBLIC/HUNGARY/ ROMANIA/SLOVAKIA/SLOVENIA

**Yamaha Music Europe GmbH
Branch Austria (Central Eastern Europe Office)**
Schleiergasse 20, A-1100 Wien, Austria
Tel: 01-60203900

POLAND/LITHUANIA/LATVIA/ ESTONIA

**Yamaha Music Europe GmbH
Branch Poland Office**
ul. Wrotkowa 14 02-553 Warsaw, Poland
Tel: 022-500-2925

BULGARIA

Dinacord Bulgaria LTD.
Bul. Iskarsko Schose 7 Targowski Zentar Ewropa
1528 Sofia, Bulgaria
Tel: 02-978-20-25

MALTA

Olimpus Music Ltd.
The Emporium, Level 3, St. Louis Street Msida
MSD06
Tel: 02133-2144

NETHERLANDS/BELGIUM/ LUXEMBOURG

Yamaha Music Europe Branch Benelux
Clarissenhof 5-b, 4135 AB Vianen, Netherlands
Tel: 0347-358 040

FRANCE

Yamaha Music Europe
7 rue Ambroise Croizat, Zone d'activites Pariest,
77183 Croissy-Beaubourg, France
Tel: 01-64-61-4000

ITALY

Yamaha Music Europe GmbH, Branch Italy
Viale Italia 88, 20020 Lainate (Milano), Italy
Tel: 02-935-771

SPAIN/PORTUGAL

**Yamaha Music Europe GmbH Ibérica, Sucursal
en España**
Ctra. de la Coruna km. 17,200, 28231
Las Rozas (Madrid), Spain
Tel: +34-91-639-88-88

GREECE

Philippos Nakas S.A. The Music House
147 Skiathou Street, 112-55 Athens, Greece
Tel: 01-228 2160

SWEDEN

**Yamaha Music Europe GmbH Germany filial
Scandinavia**
J. A. Wettergrensgata 1, Box 30053
S-400 43 Göteborg, Sweden
Tel: +46 31 89 34 00

DENMARK

**Yamaha Music Europe GmbH, Tyskland - filial
Denmark**
Generatorvej 6A, DK-2730 Herlev, Denmark
Tel: 44 92 49 00

FINLAND

F-Musiikki Oy
Kluuvikatu 6, P.O. Box 260,
SF-00101 Helsinki, Finland
Tel: 09 618511

NORWAY

**Yamaha Music Europe GmbH Germany -
Norwegian Branch**
Grini Næringspark 1, N-1361 Østerås, Norway
Tel: 67 16 78 00

ICELAND

Skifan HF
Skeifan 17 P.O. Box 8120, IS-128 Reykjavik,
Iceland
Tel: 525 5000

RUSSIA

Yamaha Music (Russia) LLC.
Room 37, bld. 7, Kievskaya street, Moscow,
121059, Russia
Tel: 495 626 5005

TURKEY/CYPRUS

**Yamaha Music Europe GmbH
Merkezi Almanya Türkiye Istanbul Şubesi**
Maslak Meydan Sokak No:5 Spring Giz Plaza
Bağımsız Böl. No:3, 34398 Şişli, Istanbul
Tel: +90-212-999-8010

OTHER EUROPEAN COUNTRIES

Yamaha Music Europe GmbH
Siemensstraße 22-34, 25462 Rellingen, Germany
Tel: +49-4101-3030

AFRICA/MIDDLE EAST

SOUTH AFRICA

**Global Music Instruments
World of Yamaha**
19 Eastern Service Road, Eastgate Ext.6, Sandton,
South Africa
Tel: +27-11-259-7700

OTHER COUNTRIES

Yamaha Music Gulf FZE
LOB 16-513, P.O.Box 17328, Jebel Ali,
Dubai, United Arab Emirates
Tel: +971-4-881-5868

ASIA

THE PEOPLE'S REPUBLIC OF CHINA

Yamaha Music & Electronics (China) Co.,Ltd.
2F, Yunhedasha, 1818 Xinzha-lu, Jingan-qu,
Shanghai, China
Tel: 400-051-7700

HONG KONG

Tom Lee Music Co., Ltd.
11/F., Silvercord Tower 1, 30 Canton Road,
Tsimshatsui, Kowloon, Hong Kong
Tel: 2737-7688

INDIA

Yamaha Music India Pvt. Ltd.
Spazedge building, Ground Floor, Tower A, Sector
47, Gurgaon- Sohna Road, Gurgaon, Haryana, India
Tel: 0124-485-3300

INDONESIA

PT. Yamaha Musik Indonesia (Distributor)
Yamaha Music Center Bldg. Jalan Jend. Gatot
Subroto Kav. 4, Jakarta 12930, Indonesia
Tel: 021-520-2577

KOREA

Yamaha Music Korea Ltd.
8F, 9F, Dongsung Bldg. 158-9 Samsung-Dong,
Kangnam-Gu, Seoul, Korea
Tel: 02-3467-3300

MALAYSIA

Yamaha Music (Malaysia) Sdn., Bhd.
No.8, Jalan Perbandaran, Kelana Jaya, 47301
Petaling Jaya, Selangor, Malaysia
Tel: 03-78030900

SINGAPORE

Yamaha Music (Asia) Private Limited
Block 202 Hougang Street 21, #02-00,
Singapore 530202, Singapore
Tel: 65-6747-4374

TAIWAN

Yamaha Music & Electronics Taiwan Co.,Ltd.
3F, No.6, Section 2 Nan-Jing East Road, Taipei,
Taiwan R.O.C.
Tel: 02-2511-8688

THAILAND

Siam Music Yamaha Co., Ltd.
3, 4, 15 and 16th floor, Siam Motors Building,
891/1 Rama 1 Road, Wangmai,
Pathumwan, Bangkok 10330, Thailand
Tel: 02-215-2622

VIETNAM

Yamaha Music Vietnam Company Limited
15th Floor, Nam A Bank Tower, 201-203 Cach
Mang Thang Tam St., Ward 4, Dist.3,
Ho Chi Minh City, Vietnam
Tel: +84-8-3818-1122

OTHER ASIAN COUNTRIES

<http://asia.yamaha.com>

OCEANIA

AUSTRALIA

Yamaha Music Australia Pty. Ltd.
Level 1, 99 Queensbridge Street, Southbank,
Victoria 3006, Australia
Tel: 3-9693-5111

NEW ZEALAND

Music Works LTD
P.O.BOX 6246 Wellesley, Auckland 4680,
New Zealand
Tel: 9-634-0099

COUNTRIES AND TRUST TERRITORIES IN PACIFIC OCEAN

<http://asia.yamaha.com>



Yamaha Global Site
<http://www.yamaha.com/>
Yamaha Downloads
<http://download.yamaha.com/>

Manual Development Department
© 2015 Yamaha Corporation

Published 01/2015 MWZC*.*-**A0
Printed in Indonesia



ZN57890

ZN57890