



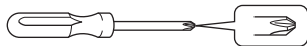
Checking the included items

Remove all parts from the package and make sure you have all of the items.

- Bench board 1
- Legs 4
- Foot rest 1
- Bolts 4
- Washers 4
- Screws 4
- Wrench* 1

*Wrench is attached on the backside of bench board.

Have a Phillips-head (+) screwdriver of the appropriate size ready.



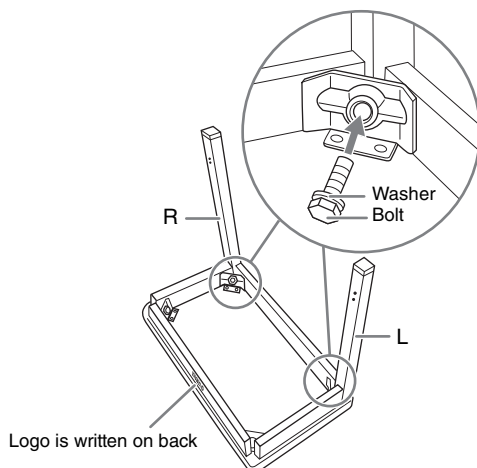
Bench assembly

1 Turn the bench board over and install two legs for the front side.

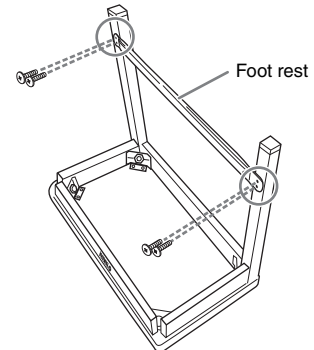
Tighten the bolts using the included wrench (as shown).

CAUTION

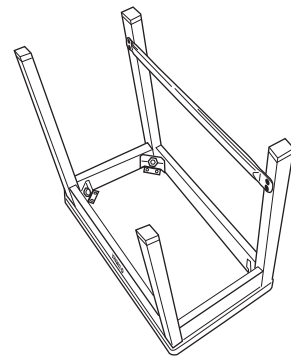
Make sure to put washers between the bolts and the bench board. Make sure to properly tighten all bolts so that there is no gap between the bolts and the washers. If the bolts are not properly tightened, accident or injury may occur.



2 Install the foot rest to the legs with the included four screws, using a screwdriver.



3 Install the two legs for the back side.

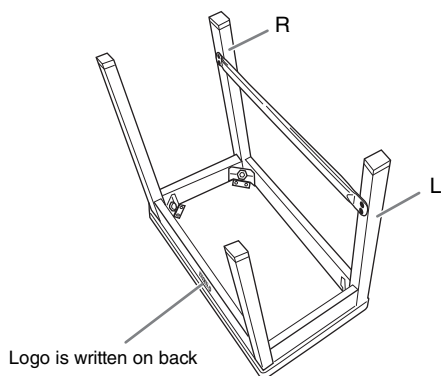


After completing the assembly, be sure to read the "PRECAUTIONS" section of the Owner's Manual of ELS-02/ELS-02C.

Post-assembly checklist

After completing the assembly, please check the following.

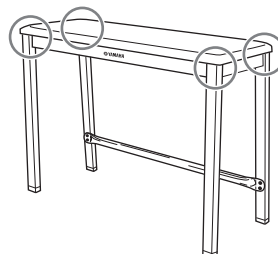
- **Are all of the bolts and screws properly tightened?**
→ Make sure to properly tighten all bolts and screws.
- **Is the bench stable?**
→ If the bench is unstable, adjust the bench legs, referring to the instructions in the next section, “If the bench is unstable.”
- **Are the legs attached correctly (left and right)?**



If the bench is unstable

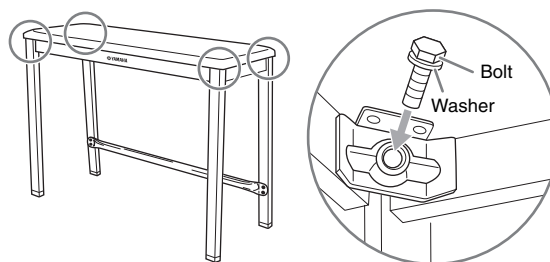
If the bench is unstable, adjust it in the following manner.

- 1 With the legs on the floor in the normal position, temporarily loosen the bolts indicated with a mark written on them.**



- 2 Tighten the bolts that attach the legs using the included wrench.**

Make sure to properly tighten all bolts so that there is no gap between the bolts and the washers.



- 3 Return the bench to the original position, and check that the bench is stable.**

If the bench is in any way unstable, adjust it in steps 1 and 2 again.

If this does not solve the problem, contact your Yamaha dealer.

If the bench bolts/screws become loose due to extensive long-term use, tighten them periodically using the included tool and a screwdriver.

EN

C.S.G., DMI Development Division
© 2014 Yamaha Corporation

Published 04/2014 MW-01B0

ZJ88110